

外转子轴流风机
Axial Fans

ErP 2015



Catalogue














DIRECTORY 目 录

公司简介	Introduction	01-02
EC风机介绍	EC Fan Introduction	03-06
EC 外转子轴流风机	EC Axial Fans	07-13
DC 外转子轴流风机	DC Axial Fans	14-18
AC 外转子轴流风机	AC Axial Fans	19-59



公司简介 Introduction

杭州微光电子股份有限公司成立于1986年，是专业生产各类风扇电机的国家火炬计划重点高新技术企业和中国电子元件百强企业，企业通过ISO9001质量管理体系认证、ISO14001环境管理体系认证、OHSAS18001职业健康安全管理体系认证，公司拥有国家认可实验室，产品通过 、、、、、、 认证，外转子风机取得全国工业产品生产许可证。 、、 都是我司的注册商标，其中  被国家工商总局商标局认定为“驰名商标”。在激烈的市场竞争中，企业凭借严谨的科学管理，可靠的生产质量赢得了世界各地广大客户的信赖。我们将不断努力、竭诚为新老客户提供优质的产品和服务。

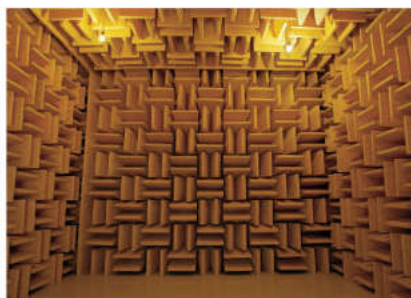
Hangzhou Weiguang Electronic Co., Ltd., established in 1986 is a high technology professional manufacturer of fan motors in Zhejiang Province, with 、、、、、、 approval and ISO9001, ISO14001, OHSAS18001 certification. 、、 are all our registered trademarks.

We believe in the policy of continuous improvement and is backed by a strong Research and Development Department.

With a world class laboratory for performance, endurance, noise level, airflow and static pressure, what ensures the competitive quality.

With state of the art manufacturing facility, reliable quality and scientific management, we have won the trust of customers all over the world.

Do contact us to find a solution for your individual application.



EC 风机介绍 EC Fan Introduction

当今世界，绿色空间已作为人类的追求，节能减排和低噪音舒适环境已经作为重要的议题，尤其在空调和通风行业中，风机的高效率和低噪音是产品的重要指标。使用高效率的EC系列风机将带给你舒适的环境，微光电子的技术专家已经针对客户不同的使用要求开发出多种控制方案，以满足客户灵活的需求。

EC风机分为两大系列，即DC系列和EC系列，DC系列风机是直接输入12VDC/24VDC/48VDC电源的无刷直流风机；EC系列风机是输入115VAC/230VAC/380VAC电源的无刷直流风机或永磁同步风机。

微光的EC风机可以提供多种控制方案，多种保护功能，包括硬件和软件的双重保护策略，我们将根据客户的使用不断优化出让您更加舒适和满意的产品，将不断满足用户对绿色空间环境的要求。

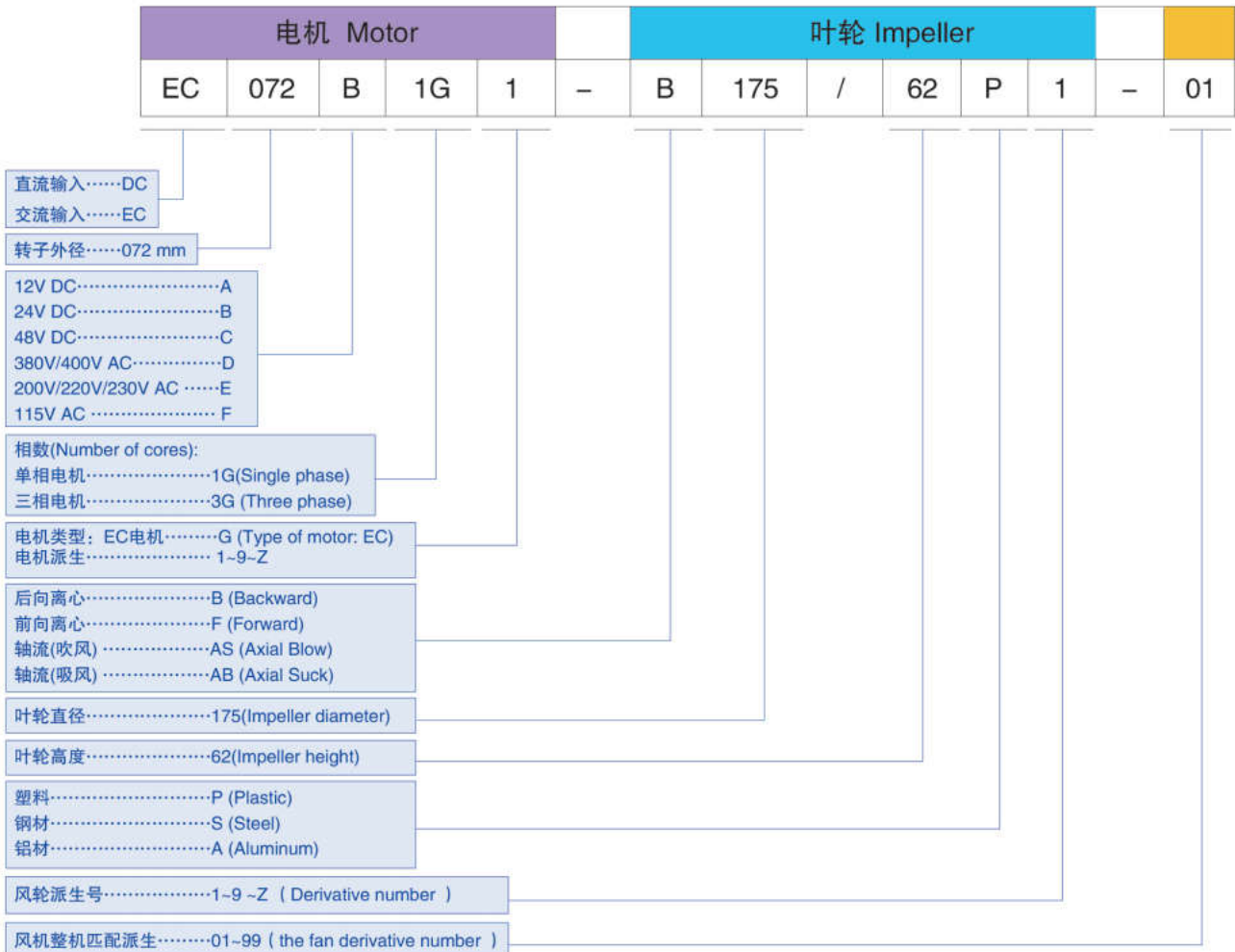
我们将致力于打造性能一流的产品，实现智能化控制与节能环保！

Nowadays, the green space is the pursuit of human beings. Energy saving, low noise and comfortable environment have become an important issue, especially in the ventilation and air conditioning industry, fans with high efficiency and low noise is an important index of the product. EC series fan with high efficiency will continue to bring you a comfortable environment, WEIGUANG technology experts has develop a variety of control plan according to customers' requirements.

EC fan is divided into two series, DC series and EC series, DC series fan is brushless with directly input 12VDC/24VDC/48VDC power; EC series is the brushless fan or permanent magnet synchronous fan with input 115VAC/230VAC/380VAC power.

EC fan can provide many kinds of control scheme, the protection function of dual protection strategies, including hardware and software, We will provide you with better service and better products and will continue to meet the requirements of green space environment, let us live in a comfortable environment. We will work to build a performance of first-class products, and realize intelligent control, let you enjoy the joy of science and technology!

Product model numbering rule for EC fan and EC motor EC风机及EC电机产品型号编号规则



注：单独销售电机时，只采用前半部分作为电机的型号，例如：DC072B3G1

单独销售风轮时，只采用后半部分作为风轮的型号，例如：B175/62P1

Note: If individually sales motor, using only the front half part as the motor type, for example: DC072B3G1.

If individually sales impeller, using only the second part as the wind wheel model, for example: B175/62P1.

EC Backward Curved Centrifugal Fan EC 后离心风机配置矩阵表								
		Motor(Rotor OD) 电机 转子外径	DC072	DC092	DC102	EC072	EC092	EC102
叶轮 (外径 高) Impeller (OD x H)			Φ72mm	Φ92mm	Φ102mm	Φ72mm	Φ92mm	Φ102mm
B133/61P1 (PA66+25%GF)	Φ133mm x 61mm		●			●		
B175/62P1 (PA66+25%GF)	Φ175mm x 62mm		●			●		
B190/63P1 (PA66+25%GF)	Φ190mm x 63mm		●	●		●	●	
B220/64P1 (PA66+25%GF)	Φ220mm x 64mm		●	●		●	●	
B225/90P1 (PA66+25%GF)	Φ225mm x 90mm		●	●		●	●	
B250/74P1 (PA66+25%GF)	Φ250mm x 73.5mm			●			●	
B250/84S1 (DX51)	Φ252mm x 84mm				●			
B280/83S1 (DX51)	Φ281mm x 82.5mm			●				
B280/112S1 (DX51)	Φ281mm x 112mm				●		●	
B310/108A1 (5052-O)	Φ318mm x 108mm			●	●		●	●
B310/139A1 (5052-O)	Φ318mm x 139mm			●	●		●	●
B355/147A1 (5052-O)	Φ360mm x 146.5mm				●			●
B355/171A1 (5052-O)	Φ360mm x 171mm				●			●
B400/141A1 (5052-O)	Φ404mm x 141mm				●			●
B400/164A1 (5052-O)	Φ404mm x 164mm				●			●

EC Axial Fan EC 轴流风机配置矩阵表								
		Motor(Rotor OD) 电机 转子外径	DC072	DC092	DC102	EC072	EC092	EC102
叶轮 (外径 高) Impeller (OD x H)			Φ72mm	Φ92mm	Φ102mm	Φ72mm	Φ92mm	Φ102mm
AB200/80S1 (Q235A)	225 x 225mm			●				
AS200/80S1 (Q235A)								
AB250/80S1 (Q235A)	280 x 280mm			●				
AS250/80S1 (Q235A)								
AB200/35S2 (Q235A)	Φ197 x 35 mm			●			●	
AS200/35S2 (Q235A)								
AB250/35S2 (Q235A)	Φ251 x 35 mm			●			●	
AS250/35S2 (Q235A)								
AB300/60S1 (Q235A)	Φ300 x 60 mm			●			●	
AS300/60S1 (Q235A)								
AB315/85S1 (Q235A)	Φ312 x 85 mm						●	
AS315/85S1 (Q235A)								
AB330/87S1 (Q235A)	Φ330 x 87 mm						●	
AB330/87S1 (Q235A)								
AB350/92S1 (Q235A)	Φ352 x 92 mm						●	
AB350/92S1 (Q235A)								
AB400/88S1 (Q235A)	Φ392 x 88 mm							●
AB400/88S1 (Q235A)								
AB450/92S1 (Q235A)	Φ446 x 92 mm							●
AB450/92S1 (Q235A)								

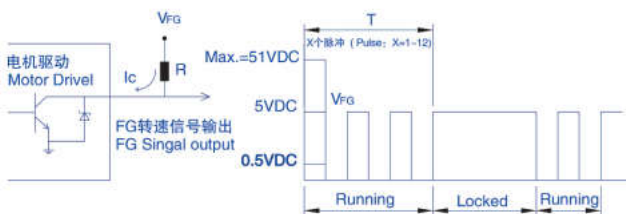
EC Fan Input Voltage EC 风机输入电压配置矩阵表						
电机 Motor	DC072	DC092	DC102	EC072	EC092	EC102
电压Voltage	Φ72mm	Φ92mm	Φ102mm	Φ72mm	Φ92mm	Φ102mm
12VDC	●	●				
24VDC	●	●				
36VDC	●	●				
48VDC	●	●	●			
310VDC	●	●	●	●	●	●
115VAC	●	●	●	●	●	●
230VAC				●	●	●
380VAC						
备注 REMARK	● 表示需要特殊定制 ● 表示标准产品配置		special custom requirement standard product configuration			

EC Fan Control Mode EC 风机控制方案矩阵表						
电机 Motor	DC072	DC092	DC102	EC072	EC092	EC102
电压Control Mode	Φ72mm	Φ92mm	Φ102mm	Φ72mm	Φ92mm	Φ102mm
传感器 + 方波 Sensor + Square wave	●	●	●			
传感器 + 准正弦波 Sensor + Quasi sine wave	●	●		●	●	
传感器 + 正弦波 Sensor + sine wave	●	●	●	●	●	●
无传感器 + 方波 Sensorless + Square wave	●	●		●	●	
无传感器 + 正弦波 Sensorless + sine wave			●	●	●	●
开环自适应控制 Open loop adaptive control	●	●	●			
闭环恒转速控制 Closed loop Constant speed control	●	●	●	●	●	●
闭环恒功率控制 Closed loop constant power control	●	●	●	●	●	●
闭环恒流量控制 Closed loop constant flow control	●	●	●	●	●	●
VVVF 控制 VVVF control	●	●	●	●	●	
FOC 控制 FOC control				●	●	●
备注 REMARK	● 表示需要特殊定制 ● 表示标准产品配置		special custom requirement standard product configuration			

EC fan protection function
EC风机保护功能矩阵表

电机 Motor	DC072	DC092	DC102	EC072	EC092	EC102
保护功能 Protect	Φ72mm	Φ92mm	Φ102mm	Φ72mm	Φ92mm	Φ102mm
软启动 (8秒) Soft start (8 seconds)	●	●	●	●	●	●
反接保护 Polarity protection	●	●	●			
欠压保护 Undervoltage protection	●	●	●	●	●	●
过压保护 Overvoltage protection	●	●	●	●	●	●
限流保护 Current limit protection	●	●	●	●	●	●
过流保护 Over current protection	●	●	●	●	●	●
堵转保护 Blocking protection	●	●	●	●	●	●
3次自启动功能 3 self starting function	●	●	●	●	●	●
温度保护功能 The function of temperature protection	●	●	●	●	●	●
正反切换功能 Reversible switching function	●	●	●	●	●	●
无极调速功能 (0~10VDC电压与PWM兼容) Stepless speed regulating function (0~10VDC voltage and PWM compatible)	●	●	●	●	●	●
FG转速信号输出 (开漏) FG speed signal output (open drain)	●	●	●	●	●	●
FG转速信号输出 (方波信号) FG speed signal output (Square wave)	●	●	●	●	●	●
+10VDC电源输出 +10VDC power output	●	●	●	●	●	●
备注 REMARK	● 表示需要特殊定制 ● 表示标准产品配置			special custom requirement standard product configuration		

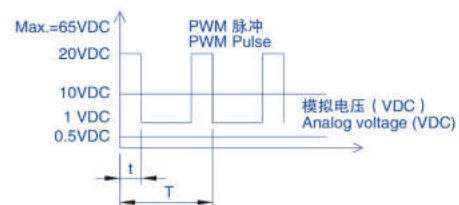
FG信号反馈线 FG feedback signal line



- 输出类型: 开漏输出
Output type: Open Collect.
- R设计要求:
R Design requirement:
输出类型: 开漏
Output type: Open Collect.
 $R \geq V_{FG}/I_c$, $I_c=10\text{mA}(\text{Max.})$.
常用 Normal: $V_{FG}=5\text{VDC}$, $R=1\text{k}\Omega$.
- 最大上拉电压 V_{FG} :
The Max.pull-up voltage.
 $V_{FG}=51\text{VDC}(\text{Max.})$.

- 脉冲数: 每转X个.
Pulse number: X PPR .
- 频率与转速计算:
Frequency and Speed calculation:
 $n=\text{RPM}$
 $T=60/n$ (s)
 $F=(1/T)*X=(n/60)*X$ (Hz)
 $n=(60*F)/X$ (RPM)

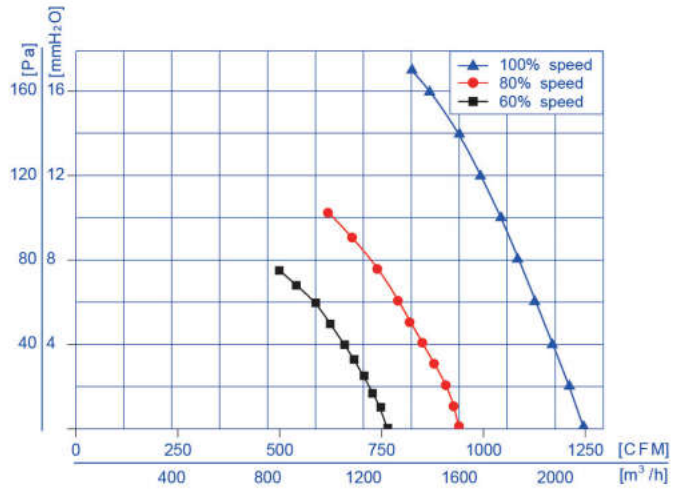
速度控制信号 The speed control signal



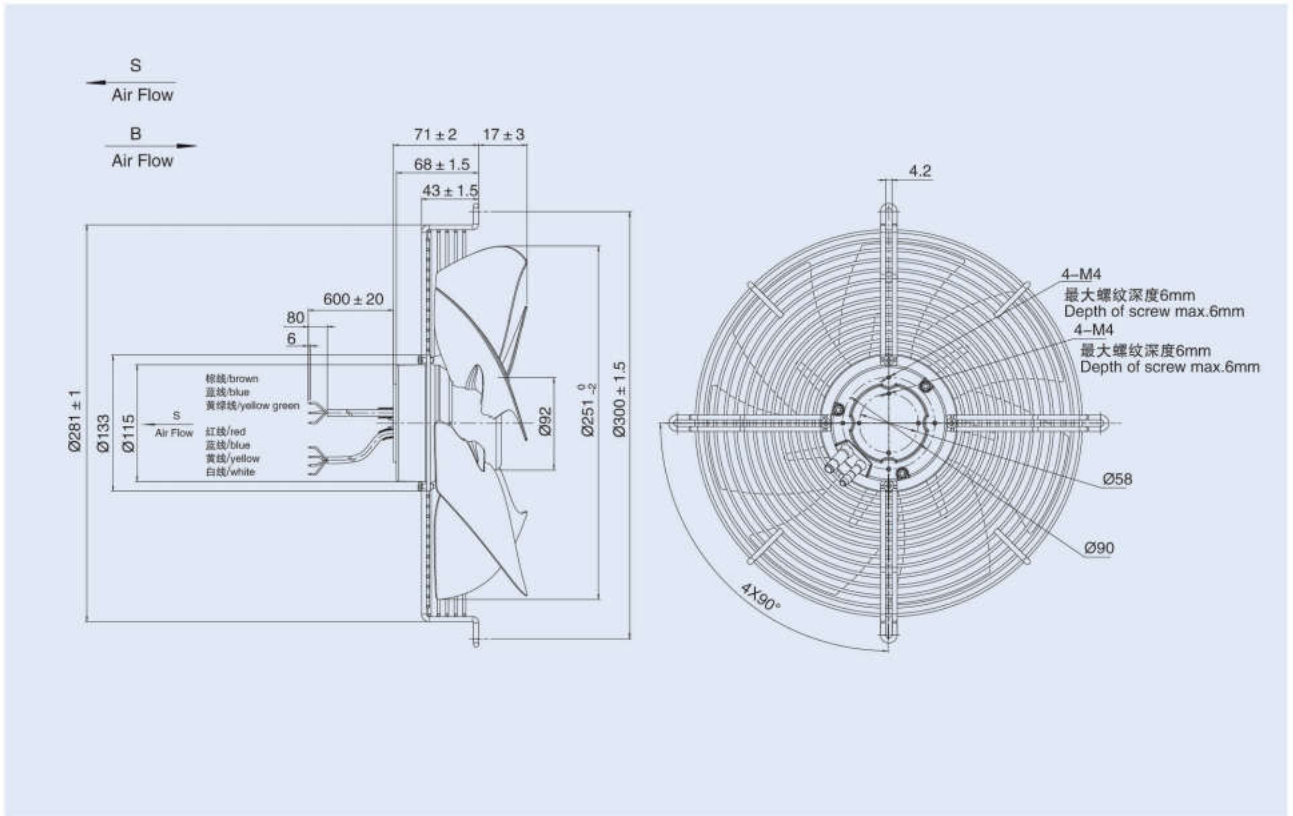
- 速度控制信号支持0.5~10VDC
模拟电压与PWM脉冲兼容。
- 只需要全速时, 调速线可直接与48VDC或24VDC或12VDC直接线连接。
- 最大调速电压支持高达65VDC, 10VDC以上为全速运行。
- 常规PWM频率为25kHz, 占空比为50%。接受范围为30Hz~300kHz, 占空比为0~100%。

- The speed control signal: 0.5~10VDC/PWM
- At full speed, speed wire can be directly connected with 48VDC or 24VDC or 12VDC direct line.
- The maximum speed of voltage support up to 65VDC, 10VDC or more is running at full speed.
- The conventional PWM frequency is 25kHz, the duty cycle is 50%. Accept a range of 30Hz~300kHz, the duty ratio of 0~100%.

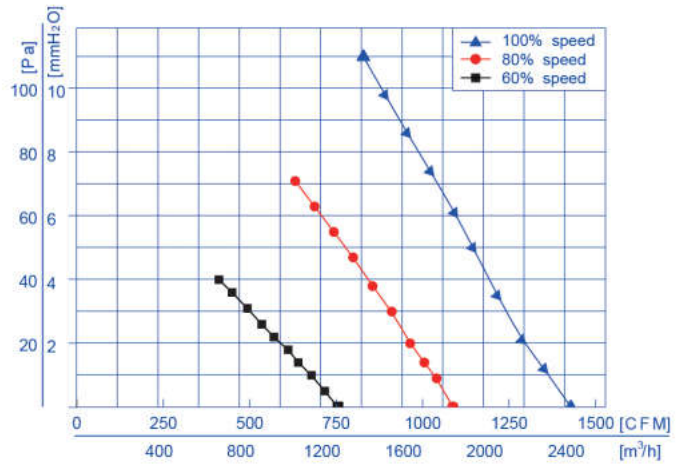
EC092 外转子轴流风机 Axial Fans Φ 250/35



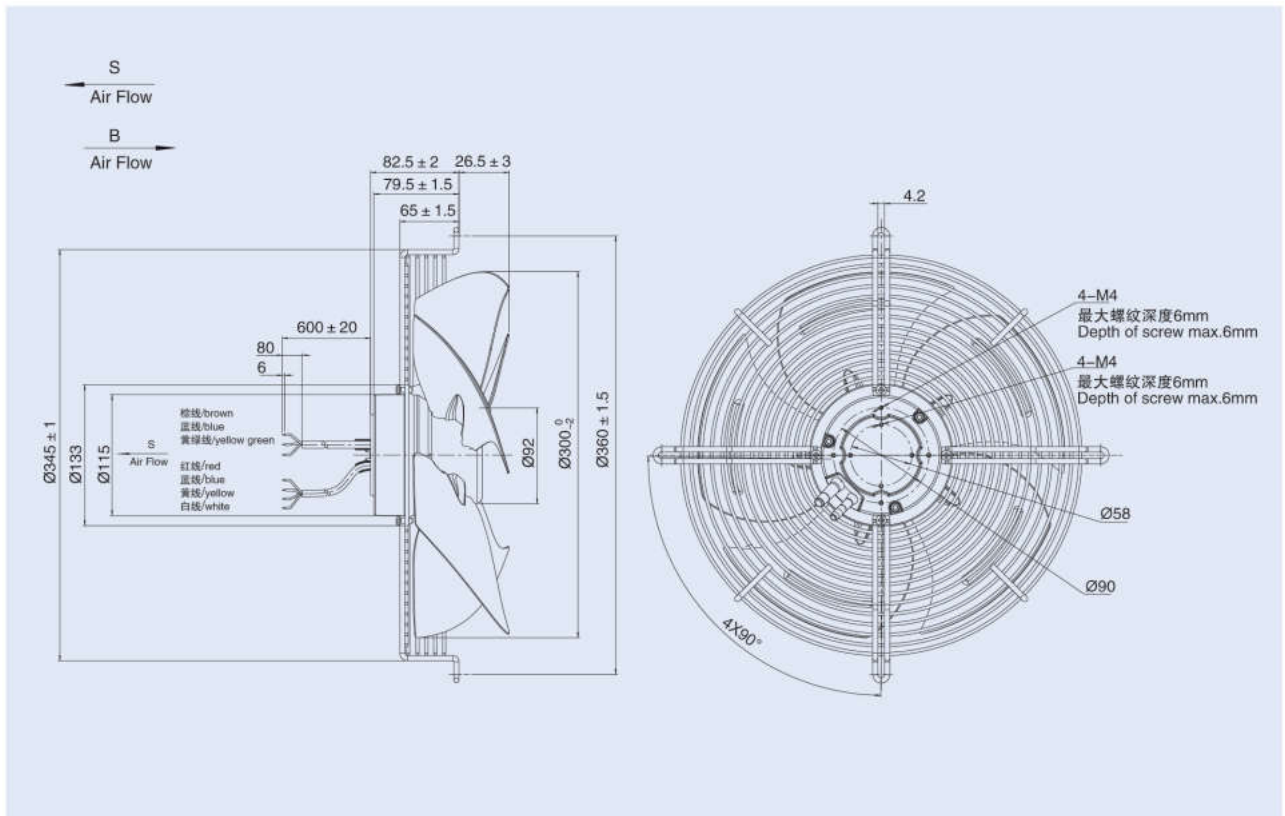
型号	额定电压	工作电压	频率	输入电流	输入功率	额定转速	风量	静压	噪音	环境温度
TYPE	RATED VOLTAGE	OPERATING VOLTAGE	FREQUENCY	INPUT CURRENT	INPUT POWER	RATED SPEED	AIR FLOW	STATIC PRESSURE	NOISE LEVEL	PERM.AMB. TEMP.
	V	V	Hz	A	W	r/min	m³/h	Pa	dB (A)	°C
EC092E3G1-AB250/35S1-01	230	200-277	50/60	≤ 1.2	160	3000	2100	200	79	-25~+60
EC092E3G1-AS250/35S1-01	230	200-277	50/60	≤ 1.2	160	3000	2100	200	79	-25~+60



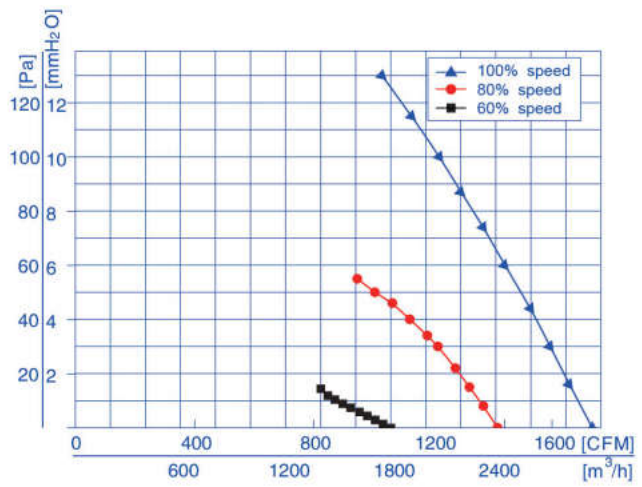
EC092 外转子轴流风机 Axial Fans $\Phi 300/60$



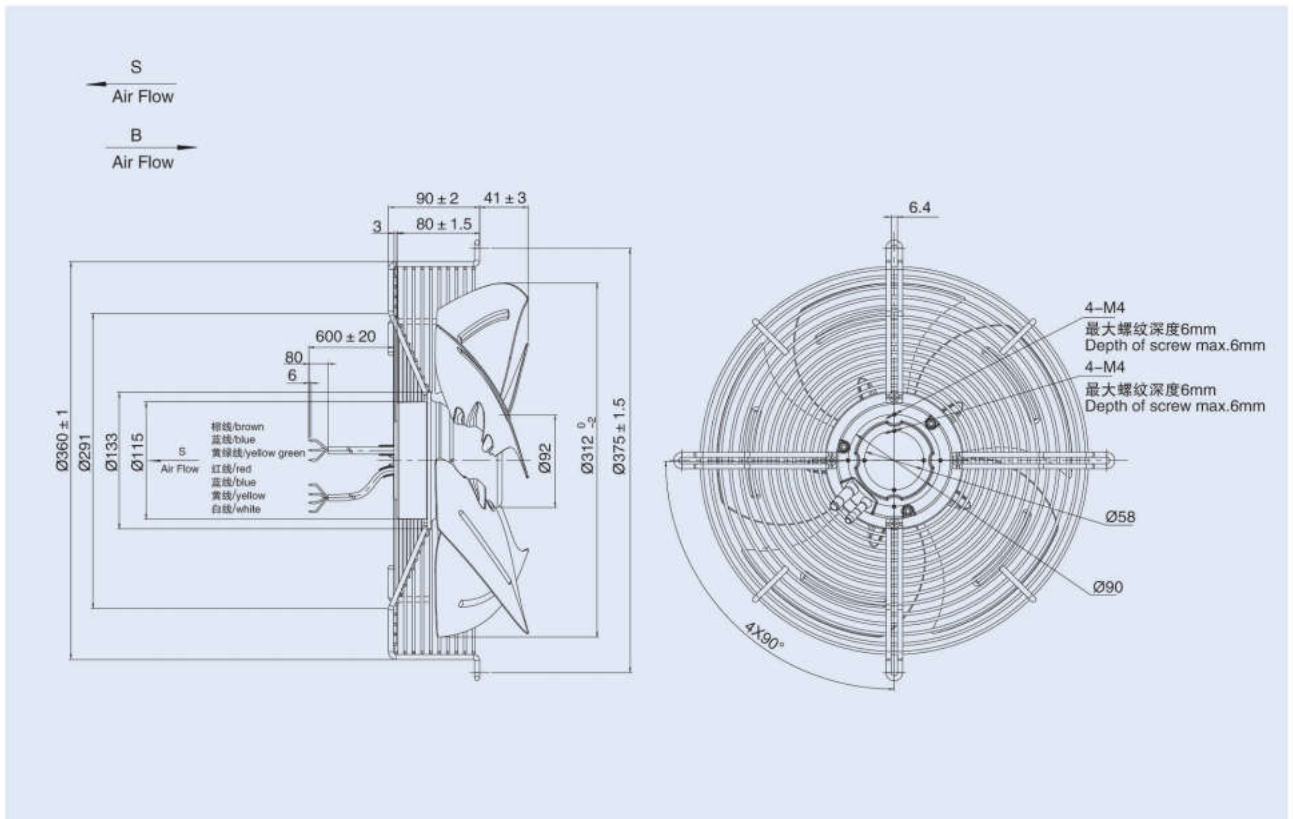
型号	额定电压	工作电压	频率	输入电流	输入功率	额定转速	风量	静压	噪音	环境温度
TYPE	RATED VOLTAGE	OPERATING VOLTAGE	FREQUENCY	INPUT CURRENT	INPUT POWER	RATED SPEED	AIR FLOW	STATIC PRESSURE	NOISE LEVEL	PERM.AMB. TEMP.
	V	V	Hz	A	W	r/min	m³/h	Pa	dB (A)	℃
EC092E3G1-AB300/60S1-01	230	200-277	50/60	≤0.8	100	1800	2400	120	64	-25~+60
EC092E3G1-AS300/60S1-01	230	200-277	50/60	≤0.8	100	1800	2400	120	64	-25~+60



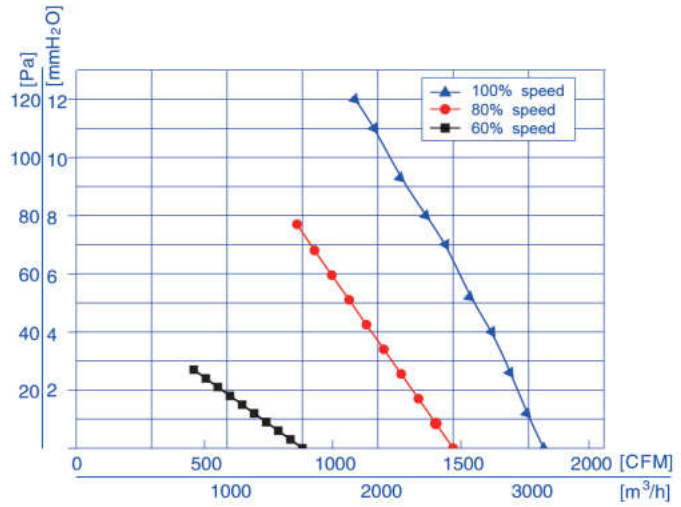
EC092 外转子轴流风机 Axial Fans $\Phi 315/85$



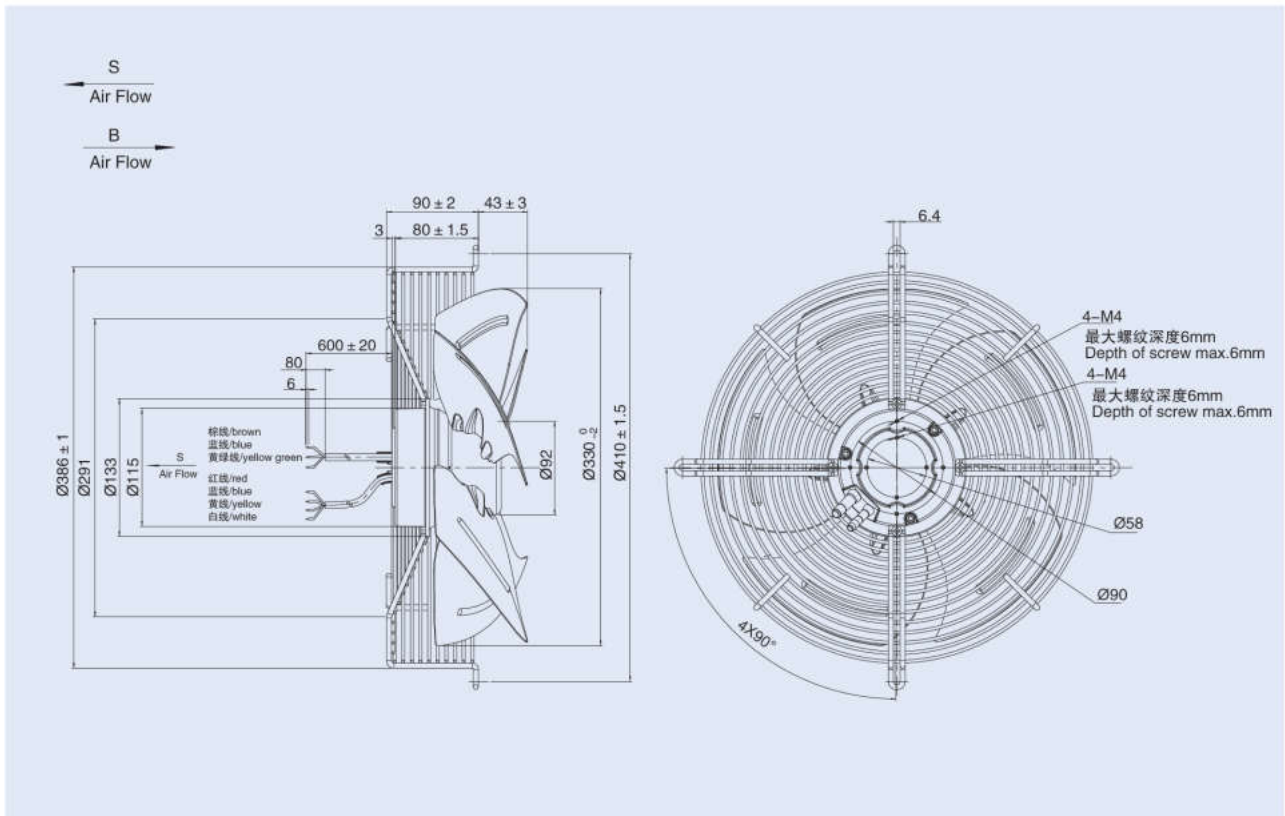
型号	额定电压	工作电压	频率	输入电流	输入功率	额定转速	风量	静压	噪音	环境温度
TYPE	RATED VOLTAGE	OPERATING VOLTAGE	FREQUENCY	INPUT CURRENT	INPUT POWER	RATED SPEED	AIR FLOW	STATIC PRESSURE	NOISE LEVEL	PERM.AMB. TEMP.
	V	V	Hz	A	W	r/min	m³/h	Pa	dB (A)	°C
EC092E3G1-AB315/85S1-01	230	200~277	50/60	≤1.1	140	1850	2900	120	65	-25~+60
EC092E3G1-AS315/85S1-01	230	200~277	50/60	≤1.1	140	1850	2900	120	65	-25~+60



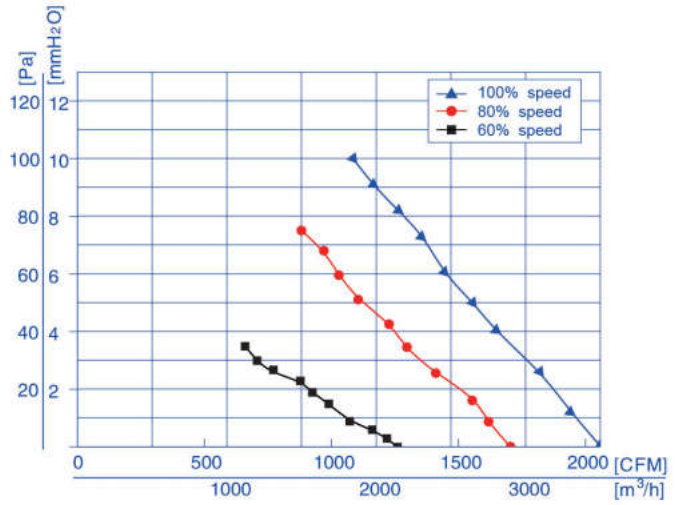
EC092 外转子轴流风机 Axial Fans Φ 330/87



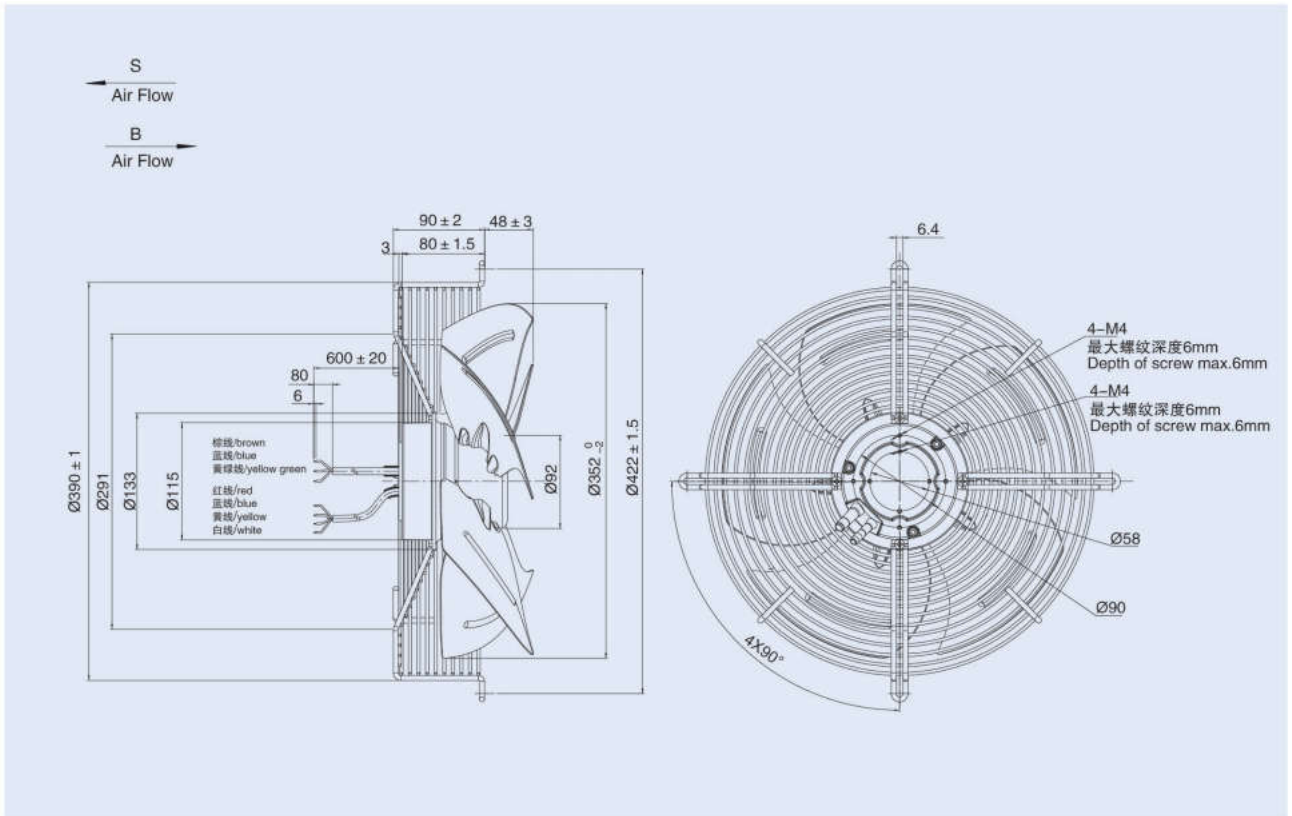
型号	额定电压	工作电压	频率	输入电流	输入功率	额定转速	风量	静压	噪音	环境温度
TYPE	RATED VOLTAGE	OPERATING VOLTAGE	FREQUENCY	INPUT CURRENT	INPUT POWER	RATED SPEED	AIR FLOW	STATIC PRESSURE	NOISE LEVEL	PERM.AMB. TEMP.
	V	V	Hz	A	W	r/min	m³/h	Pa	dB (A)	°C
EC092E3G1-AB330/87S1-01	230	200~277	50/60	≤1.1	140	1700	3100	120	68	-25~+60
EC092E3G1-AS330/87S1-01	230	200~277	50/60	≤1.1	140	1700	3100	120	68	-25~+60



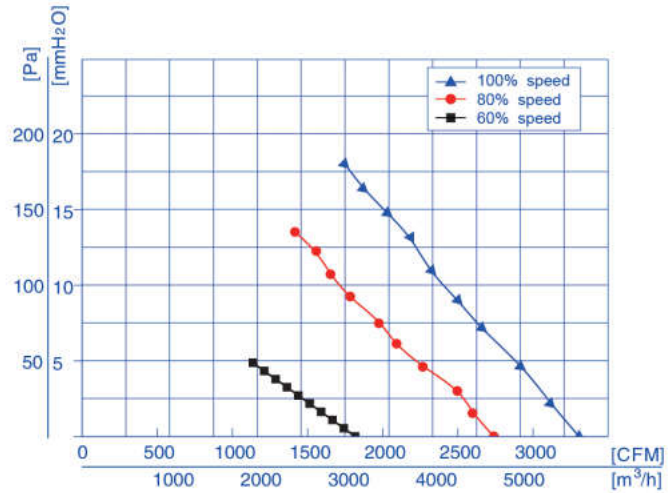
EC092 外转子轴流风机 Axial Fans Φ 350/92



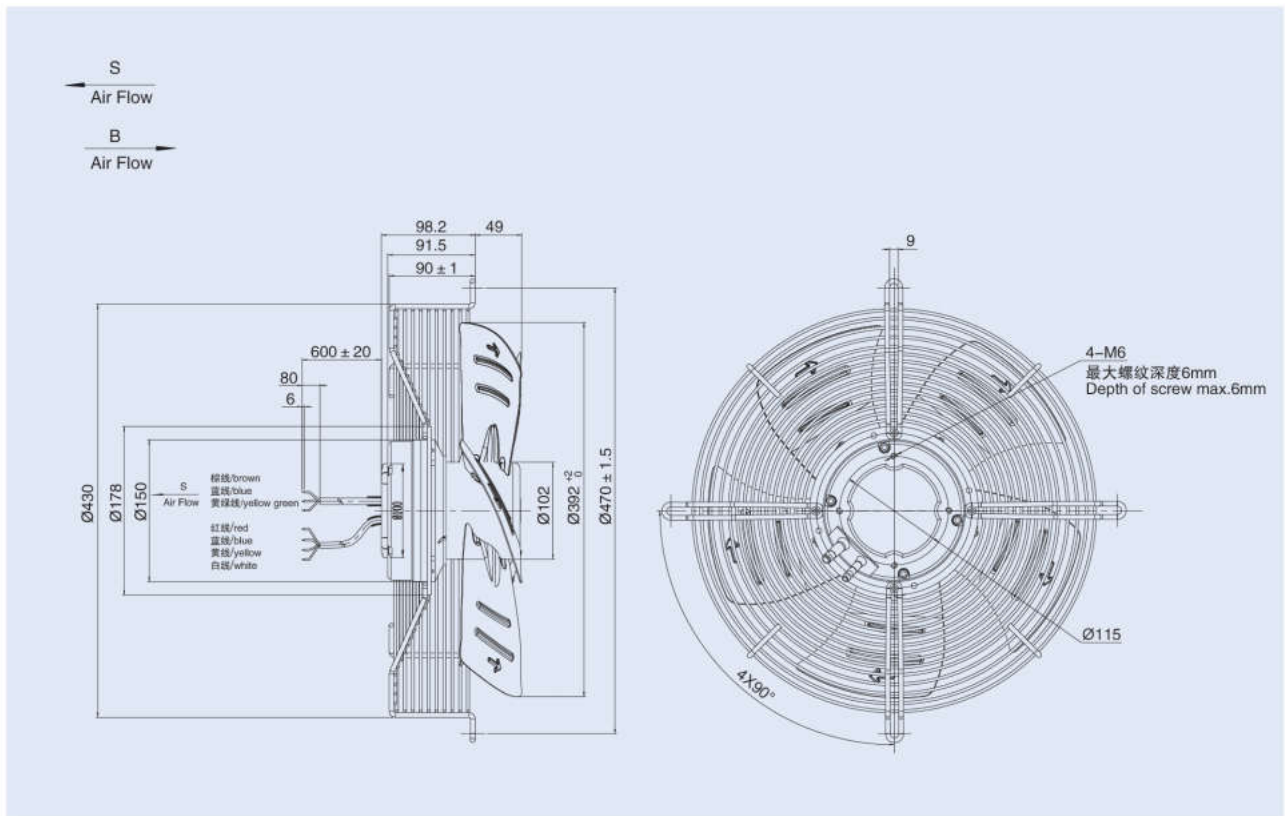
型号	额定电压	工作电压	频率	输入电流	输入功率	额定转速	风量	静压	噪音	环境温度
TYPE	RATED VOLTAGE	OPERATING VOLTAGE	FREQUENCY	INPUT CURRENT	INPUT POWER	RATED SPEED	AIR FLOW	STATIC PRESSURE	NOISE LEVEL	PERM.AMB. TEMP.
	V	V	Hz	A	W	r/min	m³/h	Pa	dB (A)	°C
EC092E3G1-AB350/92S1-01	230	200~277	50/60	≤ 1.2	150	1550	3500	100	67	-25~+60
EC092E3G1-AS350/92S1-01	230	200~277	50/60	≤ 1.2	150	1550	3500	100	67	-25~+60



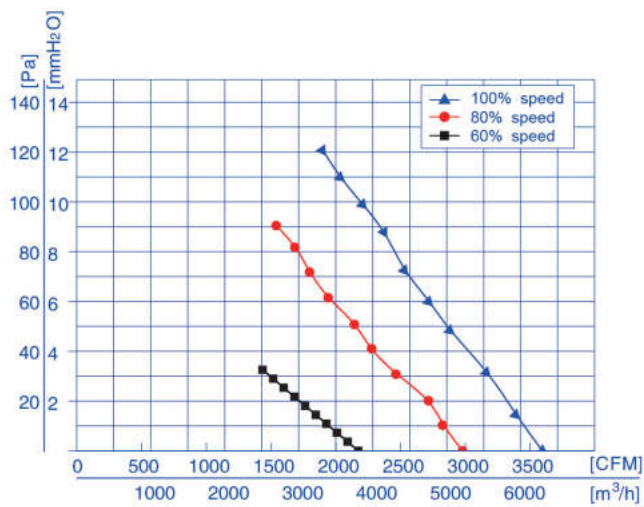
EC102 外转子轴流风机 Axial Fans $\Phi 400/88$



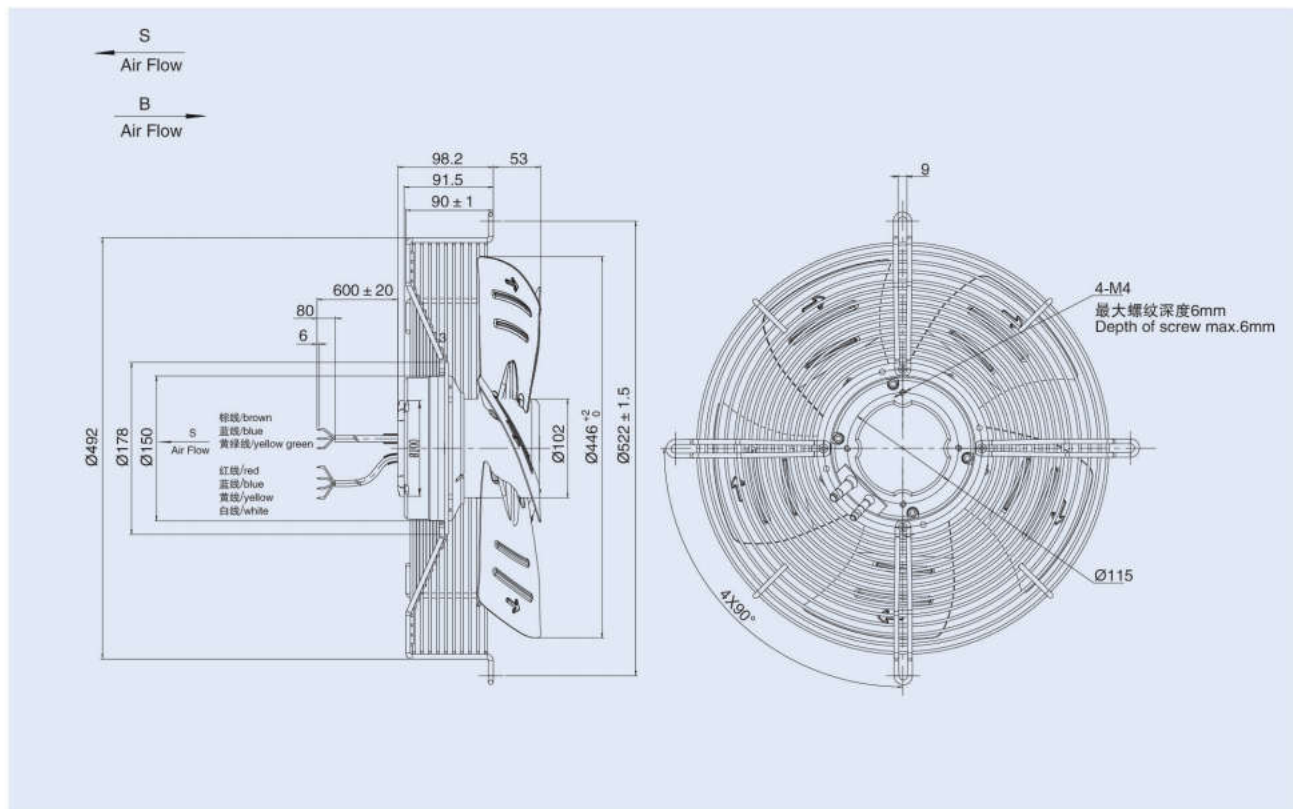
型号	额定电压	工作电压	频率	输入电流	输入功率	额定转速	风量	静压	噪音	环境温度
TYPE	RATED VOLTAGE	OPERATING VOLTAGE	FREQUENCY	INPUT CURRENT	INPUT POWER	RATED SPEED	AIR FLOW	STATIC PRESSURE	NOISE LEVEL	PERM.AMB. TEMP.
	V	V	Hz	A	W	r/min	m³/h	Pa	dB (A)	°C
EC102E3G1-AB400/88S1-01	230	200-277	50/60	≤2.5	390	1700	5500	180	64	-25~+60
EC102E3G1-AS400/88S1-01	230	200-277	50/60	≤2.5	390	1700	5500	180	64	-25~+60



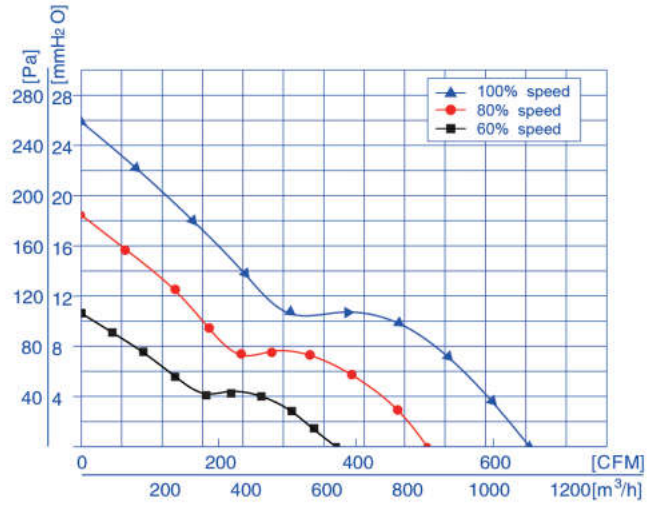
EC102 外转子轴流风机 Axial Fans $\Phi 450/92$



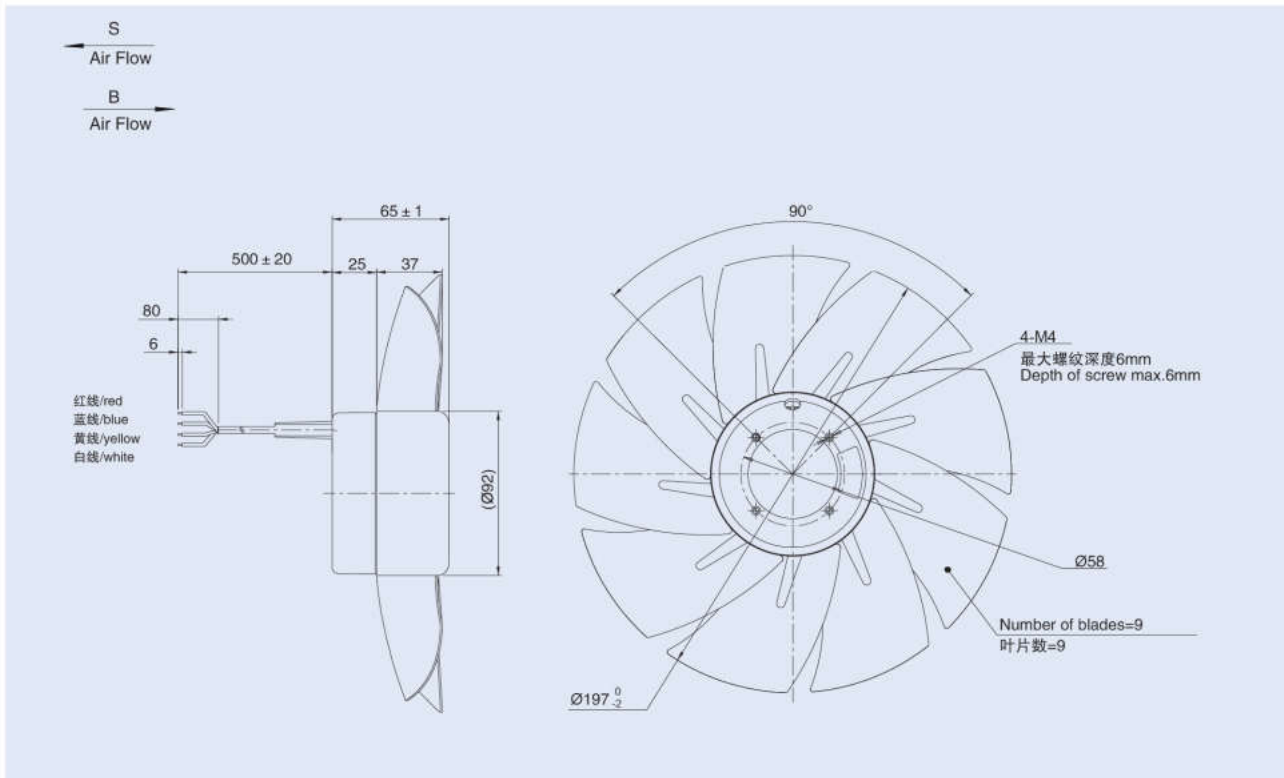
型号	额定电压	工作电压	频率	输入电流	输入功率	额定转速	风量	静压	噪音	环境温度
TYPE	RATED VOLTAGE	OPERATING VOLTAGE	FREQUENCY	INPUT CURRENT	INPUT POWER	RATED SPEED	AIR FLOW	STATIC PRESSURE	NOISE LEVEL	PERM.AMB. TEMP.
	V	V	Hz	A	W	r/min	m³/h	Pa	dB (A)	℃
EC102E3G1-AB450/92S1-01	230	200~277	50/60	≤2.1	330	1300	6000	120	64	-25~+60
EC102E3G1-AS450/92S1-01	230	200~277	50/60	≤2.1	330	1300	6000	120	64	-25~+60



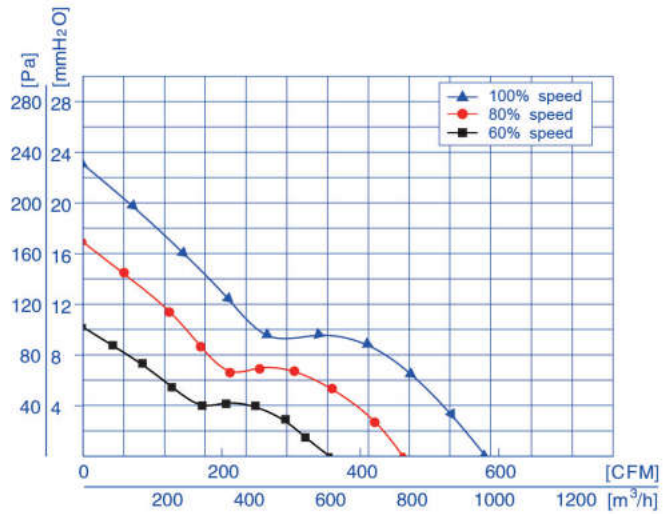
DC092 外转子轴流风机 Axial Fans Φ 200/35



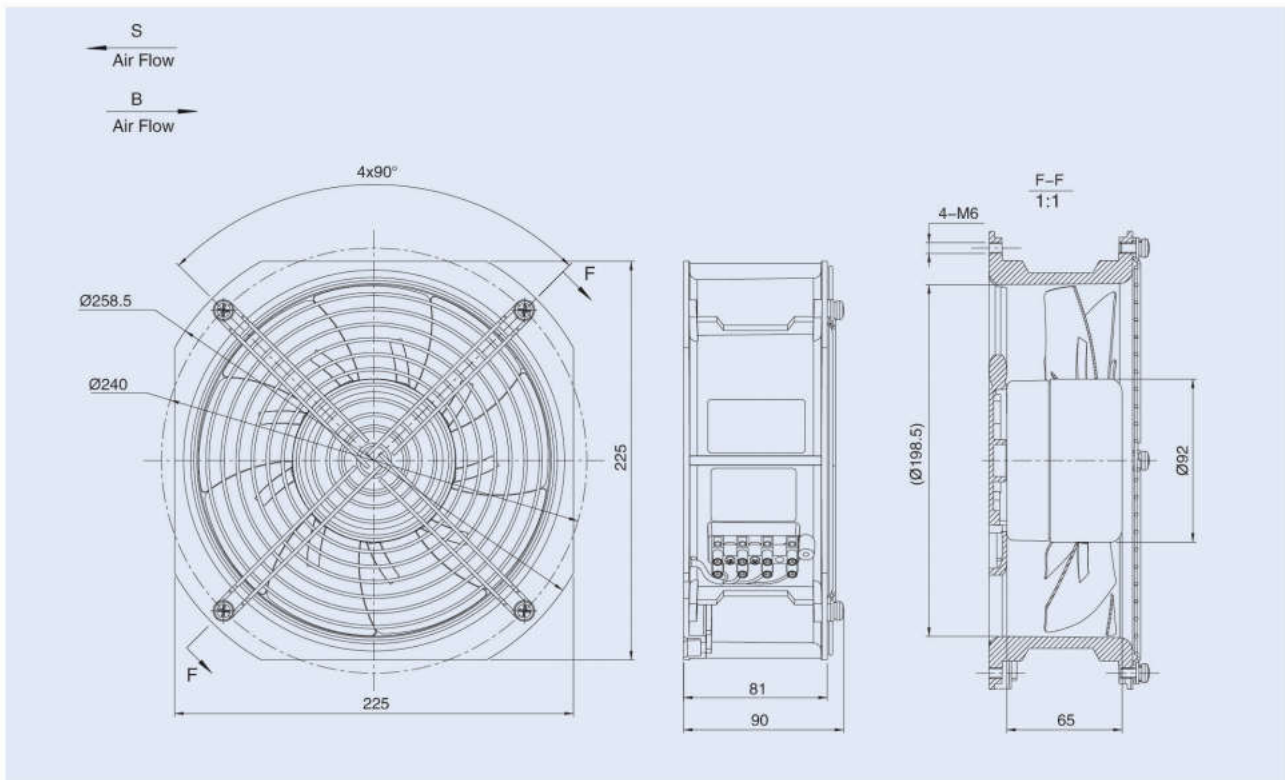
型号	额定电压	工作电压	输入电流	输入功率	额定转速	风量	静压	噪音	环境温度
TYPE	RATED VOLTAGE	OPERATING VOLTAGE	INPUT CURRENT	INPUT POWER	RATED SPEED	AIR FLOW	STATIC PRESSURE	NOISE LEVEL	PERM.AMB. TEMP.
	VDC	VDC	A	W	r/min	m³/h	Pa	dB (A)	℃
DC092C3G1-AB200/35S1-01	48	36~61	≤1.1	45	2750	1000	240	60	-25~+60
DC092C3G1-AS200/35S1-01	48	36~61	≤1.1	45	2750	1000	240	60	-25~+60
DC092B3G1-AB200/35S1-01	24	16~28	≤2.6	55	2950	1100	240	60	-25~+60
DC092B3G1-AS200/35S1-01	24	16~28	≤2.6	55	2950	1100	240	60	-25~+60
DC092C1G1-AB200/35S1-01	48	36~61	≤1.1	45	2750	1000	240	60	-25~+60
DC092C1G1-AS200/35S1-01	48	36~61	≤1.1	45	2750	1000	240	60	-25~+60
DC092B1G1-AB200/35S1-01	24	16~28	≤2.6	55	2950	1100	240	60	-25~+60
DC092B1G1-AS200/35S1-01	24	16~28	≤2.6	55	2950	1100	240	60	-25~+60



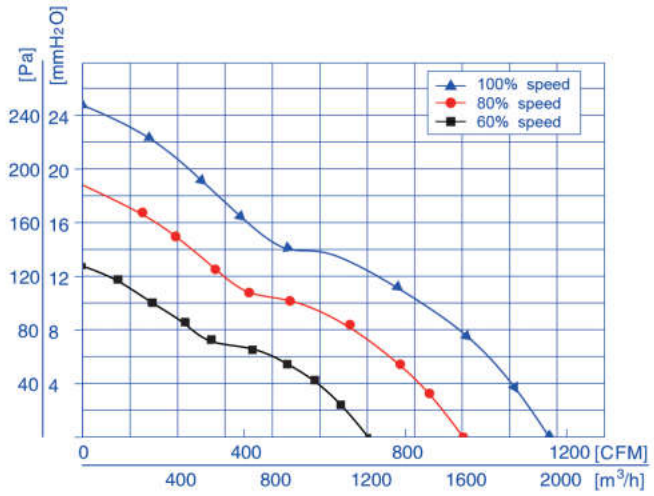
DC092 外转子轴流风机 Axial Fans Φ 200/80



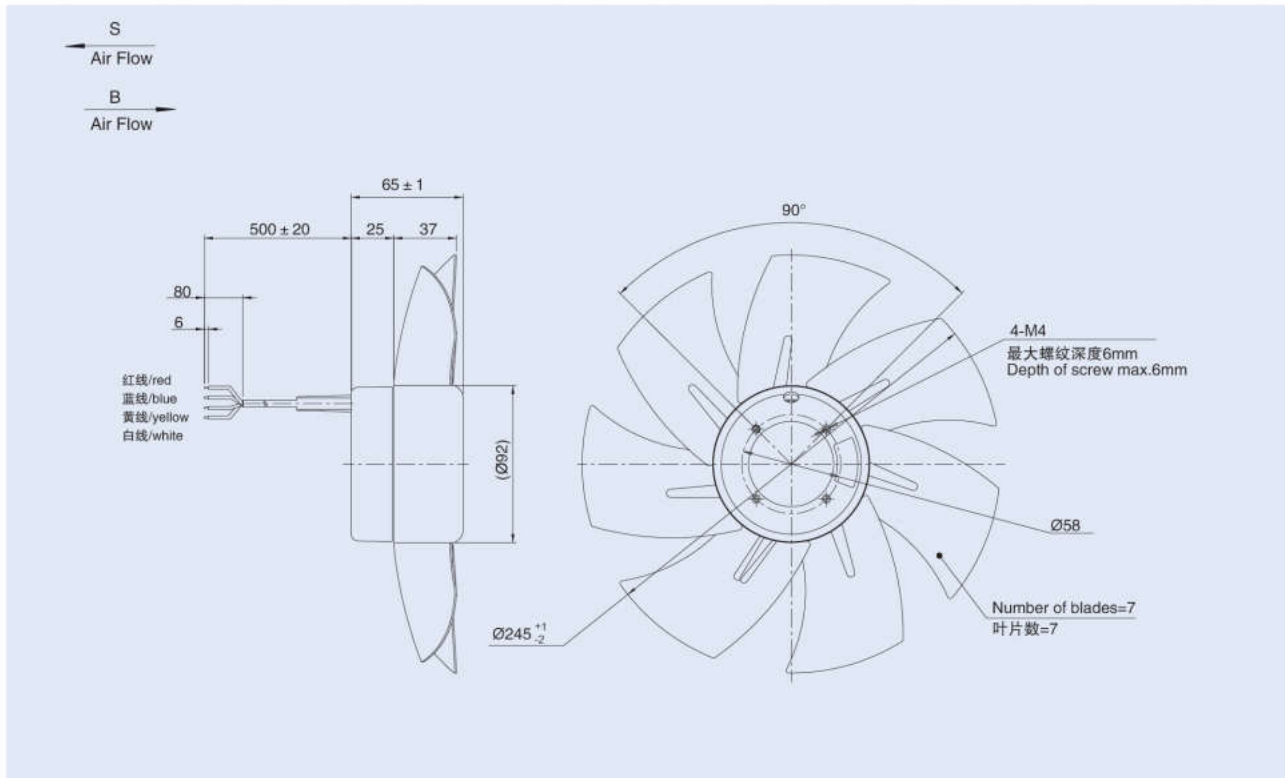
型号	额定电压	工作电压	输入电流	输入功率	额定转速	风量	静压	噪音	环境温度
TYPE	RATED VOLTAGE	OPERATING VOLTAGE	INPUT CURRENT	INPUT POWER	RATED SPEED	AIR FLOW	STATIC PRESSURE	NOISE LEVEL	PERM.AMB. TEMP.
	VDC	VDC	A	W	r/min	m³/h	Pa	dB (A)	℃
DC092C3G1-AB200/80S1-01	48	36~61	≤1.18	50	2750	950	230	68	-25~+60
DC092C3G1-AS200/80S1-01	48	36~61	≤1.18	50	2750	950	230	68	-25~+60
DC092B3G1-AB200/80S1-01	24	16~28	≤2.43	50	2750	950	230	68	-25~+60
DC092B3G1-AS200/80S1-01	24	16~28	≤2.43	50	2750	950	230	68	-25~+60
DC092C1G1-AB200/80S1-01	48	36~61	≤1.18	50	2750	950	230	68	-25~+60
DC092C1G1-AS200/80S1-01	48	36~61	≤1.18	50	2750	950	230	68	-25~+60
DC092B1G1-AB200/80S1-01	24	16~28	≤2.43	50	2750	950	230	68	-25~+60
DC092B1G1-AS200/80S1-01	24	16~28	≤2.43	50	2750	950	230	68	-25~+60



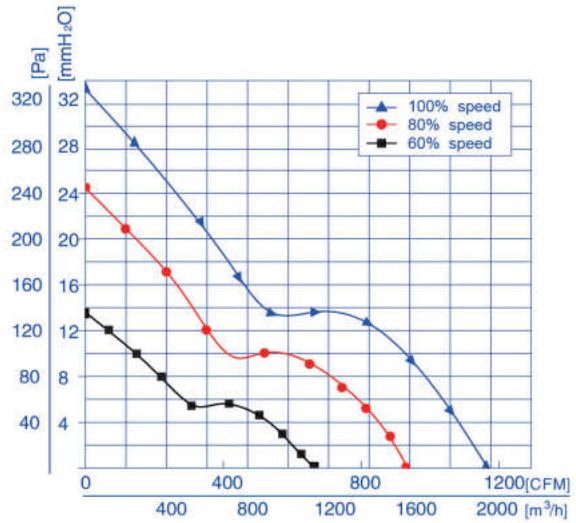
DC092 外转子轴流风机 Axial Fans $\Phi 250/35$



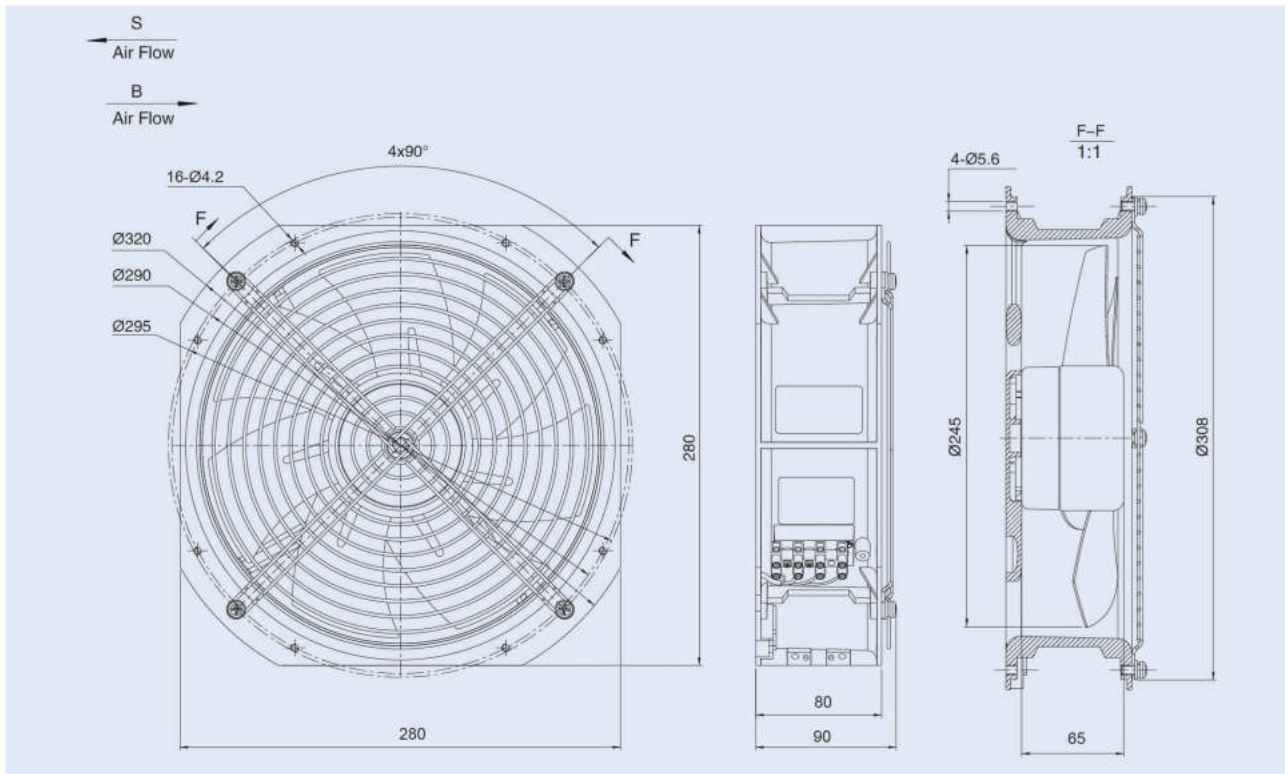
型号	额定电压	工作电压	输入电流	输入功率	额定转速	风量	静压	噪音	环境温度
TYPE	RATED VOLTAGE VDC	OPERATING VOLTAGE VDC	INPUT CURRENT A	INPUT POWER W	RATED SPEED r/min	AIR FLOW m³/h	STATIC PRESSURE Pa	NOISE LEVEL dB (A)	PERM.AMB. TEMP. ℃
DC092C3G1-AB250/35S1-01	48	36~61	≤2.6	105	2750	1900	230	70	-25~+60
DC092C3G1-AS250/35S1-01	48	36~61	≤2.6	105	2750	1900	230	70	-25~+60
DC092B3G1-AB250/35S1-01	24	16~28	≤5	105	2750	1900	230	70	-25~+60
DC092B3G1-AS250/35S1-01	24	16~28	≤5	105	2750	1900	230	70	-25~+60
DC092C1G1-AB250/35S1-01	48	36~61	≤2.6	105	2750	1900	230	70	-25~+60
DC092C1G1-AS250/35S1-01	48	36~61	≤2.6	105	2750	1900	230	70	-25~+60
DC092B1G1-AB250/35S1-01	24	16~28	≤5	105	2750	1900	230	70	-25~+60
DC092B1G1-AS250/35S1-01	24	16~28	≤5	105	2750	1900	230	70	-25~+60



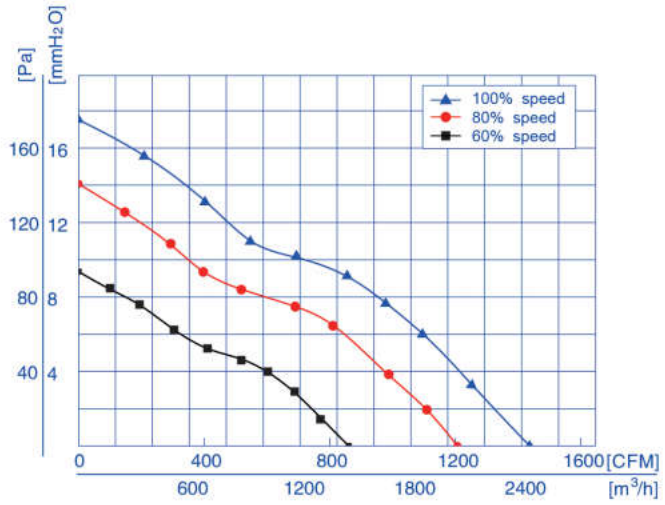
DC092 外转子轴流风机 Axial Fans Φ 250/80



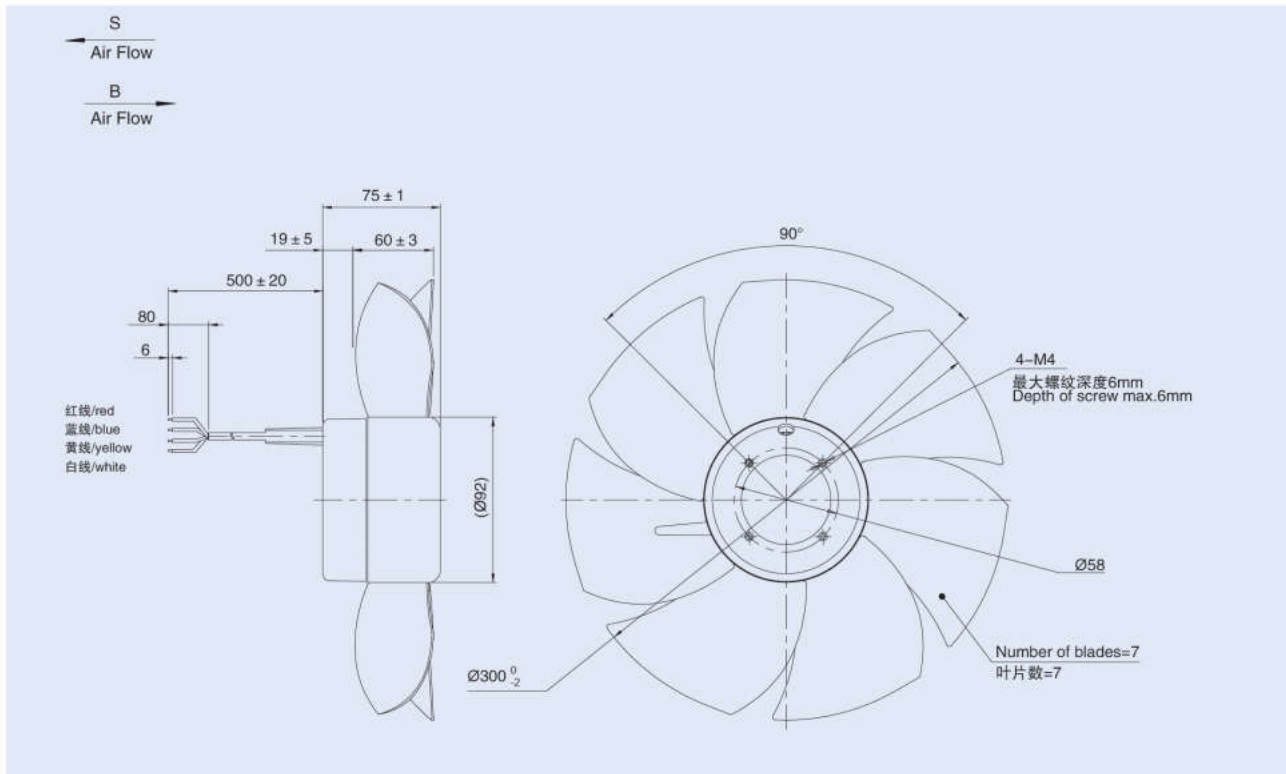
型号	额定电压	工作电压	输入电流	输入功率	额定转速	风量	静压	噪音	环境温度
TYPE	RATED VOLTAGE	OPERATING VOLTAGE	INPUT CURRENT	INPUT POWER	RATED SPEED	AIR FLOW	STATIC PRESSURE	NOISE LEVEL	PERMAMB. TEMP.
	VDC	VDC	A	W	r/min	m³/h	Pa	dB (A)	℃
DC092C3G1-AB250/80S1-01	48	36-61	≤2.46	100	2750	1900	320	70	-25~+60
DC092C3G1-AS250/80S1-01	48	36-61	≤2.46	100	2750	1900	320	70	-25~+60
DC092B3G1-AB250/80S1-01	24	16-28	≤4.92	100	2750	1900	320	70	-25~+60
DC092B3G1-AS250/80S1-01	24	16-28	≤4.92	100	2750	1900	320	70	-25~+60
DC092C1G1-AB250/80S1-01	48	36-61	≤2.46	100	2750	1900	320	70	-25~+60
DC092C1G1-AS250/80S1-01	48	36-61	≤2.46	100	2750	1900	320	70	-25~+60
DC092B1G1-AB250/80S1-01	24	16-28	≤4.92	100	2750	1900	320	70	-25~+60
DC092B1G1-AS250/80S1-01	24	16-28	≤4.92	100	2750	1900	320	70	-25~+60

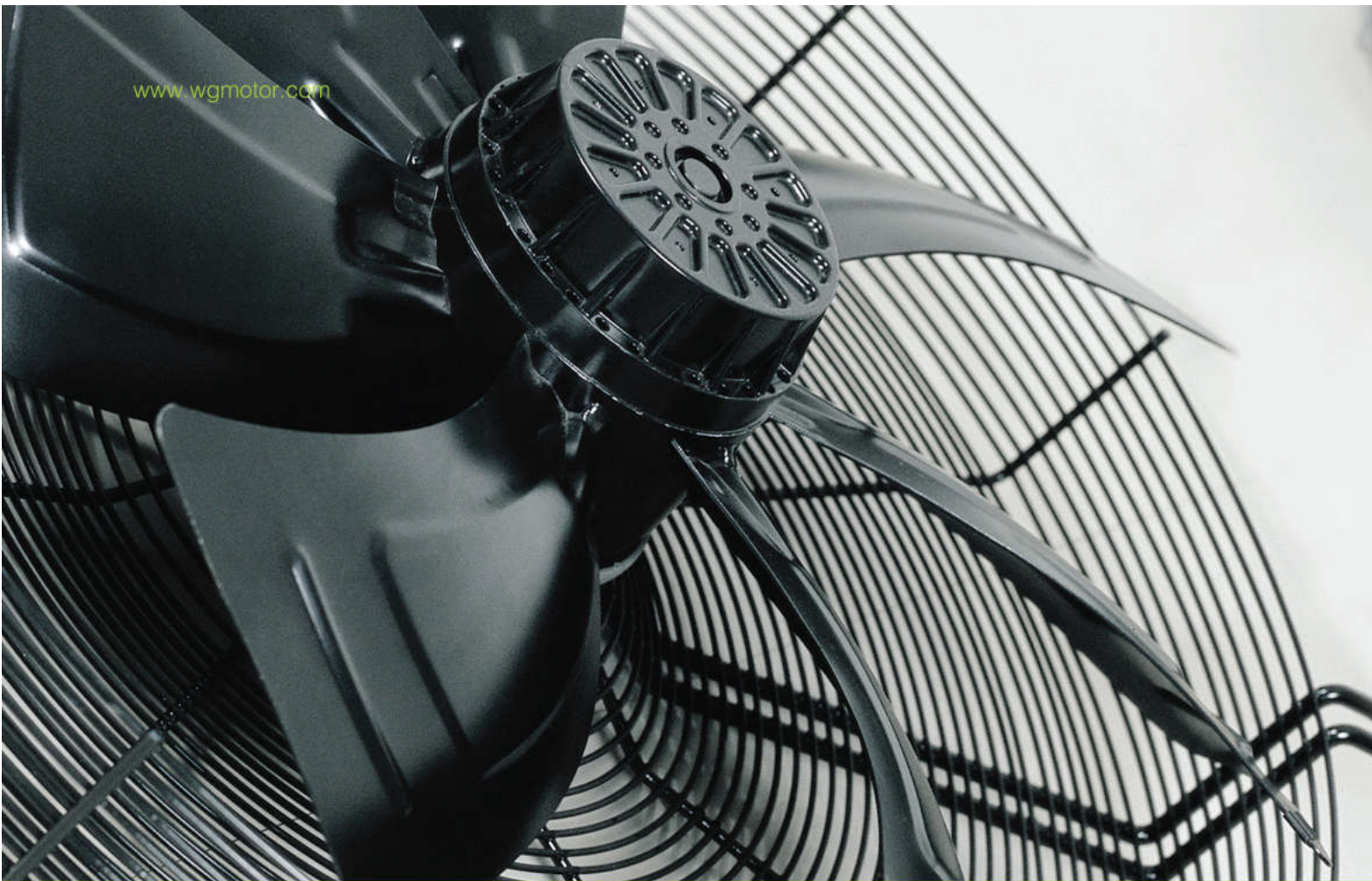


DC092 外转子轴流风机 Axial Fans $\Phi 300/60$



型号	额定电压	工作电压	输入电流	输入功率	额定转速	风量	静压	噪音	环境温度
TYPE	RATED VOLTAGE	OPERATING VOLTAGE	INPUT CURRENT	INPUT POWER	RATED SPEED	AIR FLOW	STATIC PRESSURE	NOISE LEVEL	PERM.AMB. TEMP.
	VDC	VDC	A	W	r/min	m³/h	Pa	dB (A)	℃
DC092C3G1-AB300/60S1-01	48	36-61	≤2	90	1800	2450	160	65	-25~+60
DC092C3G1-AS300/60S1-01	48	36-61	≤2	90	1800	2450	160	65	-25~+60
DC092B3G1-AB300/60S1-01	24	16-28	≤4	90	1800	2450	160	65	-25~+60
DC092B3G1-AS300/60S1-01	24	16-28	≤4	90	1800	2450	160	65	-25~+60
DC092C1G1-AB300/60S1-01	48	36-61	≤2	90	1800	2450	160	65	-25~+60
DC092C1G1-AS300/60S1-01	48	36-61	≤2	90	1800	2450	160	65	-25~+60
DC092B1G1-AB300/60S1-01	24	16-28	≤4	90	1800	2450	160	65	-25~+60
DC092B1G1-AS300/60S1-01	24	16-28	≤4	90	1800	2450	160	65	-25~+60





YWF系列轴流风机概述 Summary of YWF Series axial fans

- YWF系列轴流风机为外转子电机，该系列外转子电机具有结构紧凑、安装方便、运行可靠、噪音低、节能高效等特点。
- YWF系列轴流风机分为单相异步电容运转和三相异步运转两种。广泛应用于冷凝器、蒸发器等制冷设备及通风循环领域。
- YWF系列轴流风机的绝缘等级为B级、F级。
- 电压：单相电容运转风机为220V/50Hz，三相风机为380V/50Hz。我们可以按照客户要求生产不同电压、频率的风机。
- 风机电源引出线标准长度为1.5米，同时还有接线盒形式可供客户选择。
- 风机适用的环境温度为-30℃~60℃。
- 风机平均使用寿命为30000小时以上。
- 所有风机均通过欧洲CE认证，内销产品通过中国CCC认证。
- 风机使用前，必须将电机接地线与外部接地装置有效连接。
- 风机特性曲线是用反装方框不加网罩情况下测试的。
- YWF series axial fans are external rotor fan motors. These motors have characteristics of compact structure, convenient installation, energy conservation and high efficiency.
- YWF series axial fan motors have two types, single phase asynchronous capacitor run fan motor and three phase asynchronous fan motor. They are widely used in condenser, evaporator and other refrigeration equipments and ventilating cycle areas.
- The insulation class of the YWF series axial fans is B or F.
- Voltage: The voltage of the single phase fan is 220V/50Hz and the voltage of the three phase fan is 380V/50Hz. We can also supply other fan with different voltages and frequencies according to clients' requirement.
- The standard length of the electrical wire on the fan is 1.5m and we can also supply the fans with connection box for clients' choices.
- The applicable ambient temperature of the fans used in condenser is from -30℃ to 60℃.
- The average service life of fans is over 30000 hours.
- All fans got CE approval in Europe and CCC safety certificate in China.
- Before operating the fan, make sure the earth wire of the fan connected with the external grounding device.
- Test condition: Fan characteristic measured in square frame without guard grill.

YWF Axial Fan Motor

风机型号说明 Illustration of fan motor model

YWF 4 E - 350 S - 102 / 34 - ★
 ① ②③ ④ ⑤ ⑥ ⑦ ⑧

- ① 交流感应异步外转子风扇电动机
AC Induction asynchronous external rotor fan motor
- ② 电机极数
Motor poles
- ③ E-单相电容运转, D-三相异步运转
E-Single phase capacitor operation, D-Three phase asynchronous operation
- ④ 风叶直径
The diameter of the fan blade
- ⑤ 风向: S-吸风, B-吹风
Air direction: S-Sucking, B-Blowing
- ⑥ 转子直径
The diameter of the rotor
- ⑦ 铁芯叠厚
The thickness of laminated core
- ⑧ 风机特征:
G-网罩、B0-方框B0、B1-方框B1、T-圆筒、R-圆框、E-FB系列、A-A系列、GB-工频
Characteristics of the fan motor:
G-Grid, B0-Square Frame B0, B1-Square Frame B1, T-Cylinder, R-Round Frame, E-FB

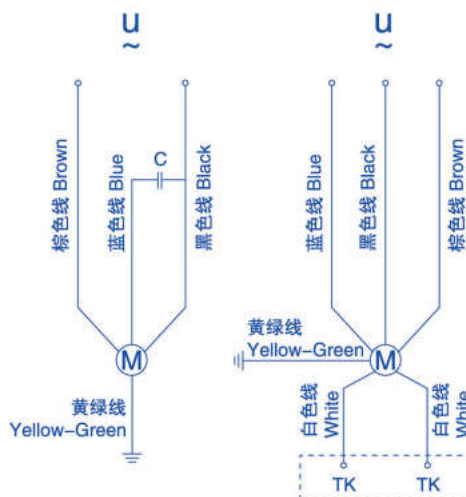
● 能效数据说明 (符合ErP2015指令)

测量类别: A
 能效类别: 静压
 功率范围 (kW): $0.125 \leq P \leq 10$
 能效指标计算: $\eta = 2.74 \times \ln(P) - 6.33 + 40$

接线图 Wiring diagram

单相 Single phase

三相 Three phase



● Energy efficiency data according to ErP 2015 directive

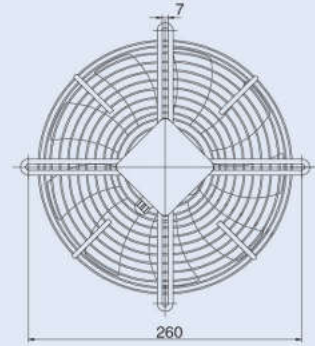
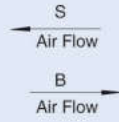
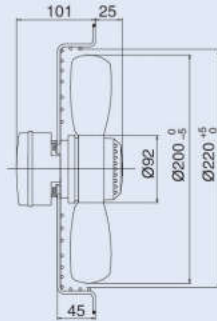
Measurement category: A
 Efficiency category: Static
 Power range (Pin kW): $0.125 \leq P \leq 10$
 Target energy efficiency: $\eta = 2.74 \times \ln(P) - 6.33 + 40$

AC 外转子轴流风机 Axial Fans $\Phi 200$

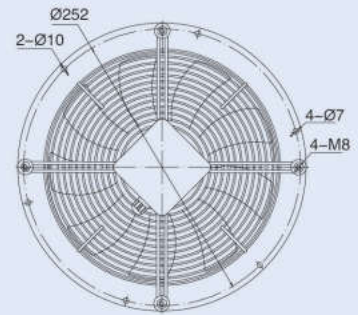
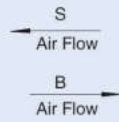
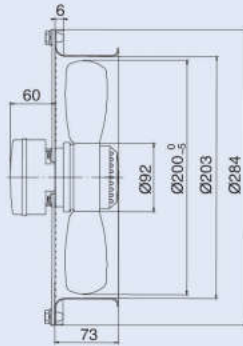
EC系列 EC AXIAL FANS



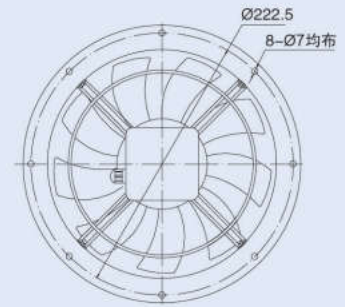
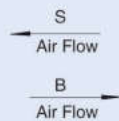
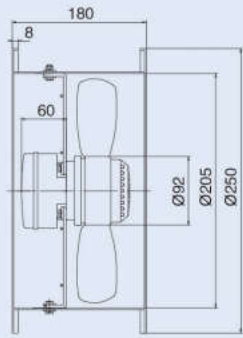
网罩风机G
Grid Fan



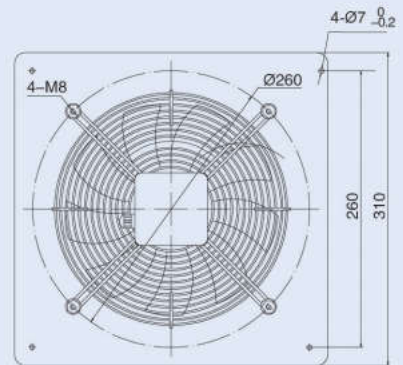
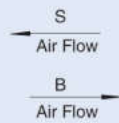
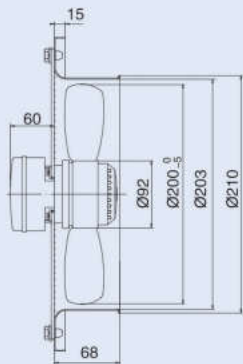
圆框风机R
Round Frame Fan



圆筒风机T
Cylinder Fan



方框风机B0
Square Frame Fan B0

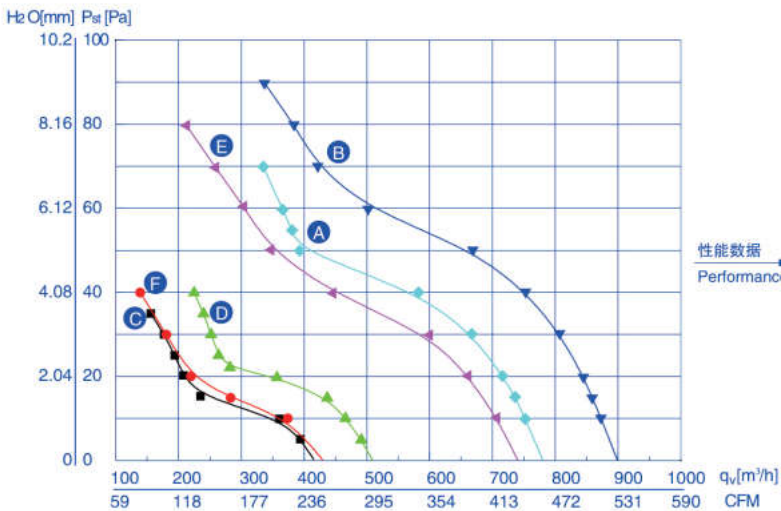




工作方式: S1
 绝缘等级: B、F
 防护等级: IP44、IP54
 环境温度: -30°C~60°C
 认证: CCC、CE、UL

 Mode of operation: S1
 Insulation class: B、F
 Type of protection: IP44、IP54
 Ambient temperature: -30°C~60°C
 Certificates: CCC、CE、UL

型号	额定电压	频率	额定电流	输入功率	额定转速	最大风量	电容	噪音	净重	曲线
TYPE	VOLTAGE V	FREQUENCY Hz	CURRENT A	INPUT W	SPEED r/min	AIR FLOW m ³ /h	CAPACITANCE μF	NOISE dBA	NET WEIGHT kg	CURVE NO.
YWF2E-200S-92/15	220	50	0.25	55	2500	780	2	52	2.0	Ⓐ
	120	60	0.65	75	2500	895	8	52	2.0	Ⓑ
YWF4E-200S-92/15	220	50	0.21	40	1400	415	1.5	46	2.0	Ⓒ
	120	60	0.31	40	1700	505	5	46	2.0	Ⓓ
YWF2D-200S-92/15	380	50	0.11	55	2300	740	/	52	2.0	Ⓔ
YWF4D-200S-92/15	380	50	0.10	35	1400	429	/	46	2.0	Ⓕ


 性能数据
Performance data

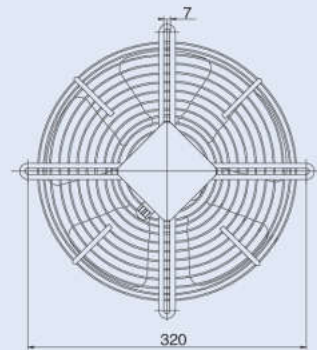
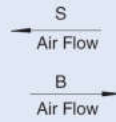
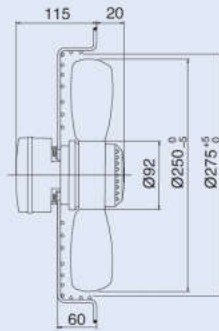
CURVE NO. 曲线	PRESSURE 静压点 Pa	SPEED 转速 r/min	INPUT 功率 W	CURRENT 电流 A	AIR FLOW 风量 m ³ /h
Ⓐ	20	2615	52	0.24	715
	40	2565	53	0.24	580
Ⓑ	20	3010	68	0.60	845
	40	2945	69	0.61	750
Ⓒ	20	1445	42	0.20	215
	30	1435	41	0.20	175
Ⓓ	15	1740	45	0.38	435
	30	1730	46	0.39	250
Ⓔ	20	2455	50	0.10	660
	40	2385	52	0.10	445
Ⓕ	20	1460	34	0.10	220
	30	1450	34	0.10	180

AC 外转子轴流风机 Axial Fans $\Phi 250$

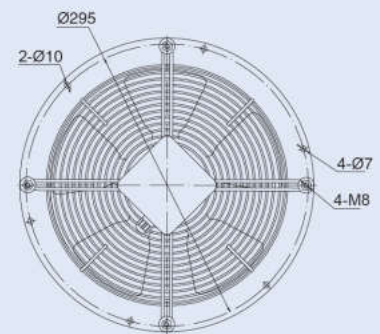
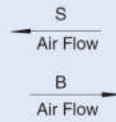
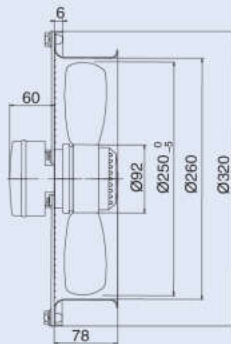
EC系列 EC AXIAL FANS



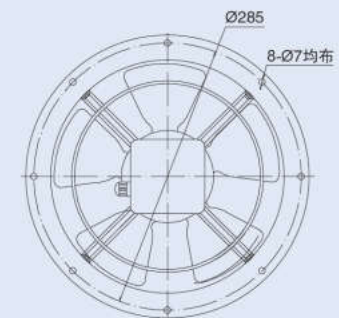
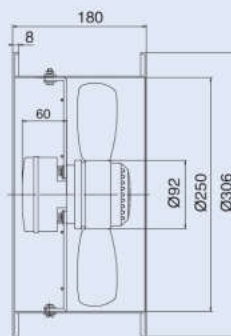
网罩风机G
Grid Fan



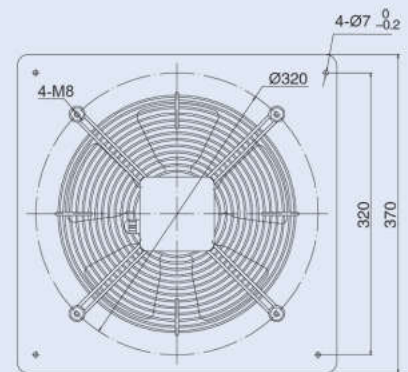
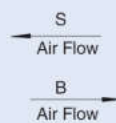
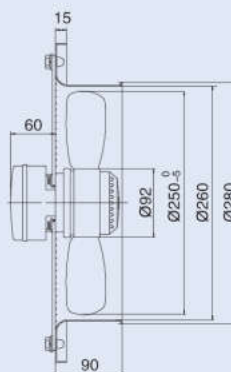
圆框风机R
Round Frame Fan



圆筒风机T
Cylinder Fan



方框风机B0
Square Frame Fan B0



AC系列 AC AXIAL FANS

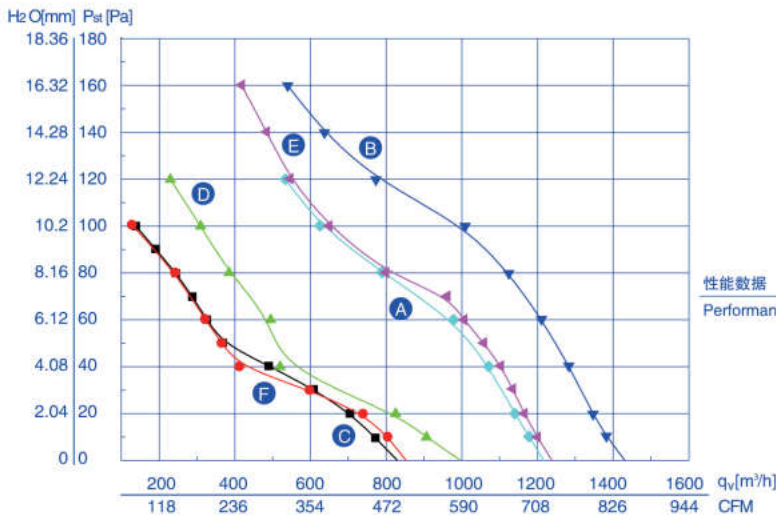
DC系列 DC AXIAL FANS



工作方式: S1
 绝缘等级: B、F
 防护等级: IP44、IP54
 环境温度: -30℃~60℃
 认证: CCC、CE、UL

 Mode of operation: S1
 Insulation class: B、F
 Type of protection: IP44、IP54
 Ambient temperature: -30℃~60℃
 Certificates: CCC、CE、UL

型号	额定电压	频率	额定电流	输入功率	额定转速	最大风量	电容	噪音	净重	曲线
TYPE	VOLTAGE	FREQUENCY	CURRENT	INPUT	SPEED	AIR FLOW	CAPACITANCE	NOISE	NET WEIGHT	CURVE NO.
	V	Hz	A	W	r/min	m ³ /h	μF	dBA	kg	
YWF2E-250S-92/25	220	50	0.35	80	2650	1215	3	60	2.5	Ⓐ
	120	60	0.95	120	2850	1430	10	60	2.5	Ⓑ
YWF4E-250S-92/25	220	50	0.23	50	1380	825	2	55	2.5	Ⓒ
	120	60	0.55	65	1600	995	8	55	2.5	Ⓓ
YWF2D-250S-92/25	380	50	0.20	80	2650	1235	/	60	2.5	Ⓔ
YWF4D-250S-92/25	380	50	0.18	55	1400	850	/	55	2.5	Ⓕ



性能数据
Performance data

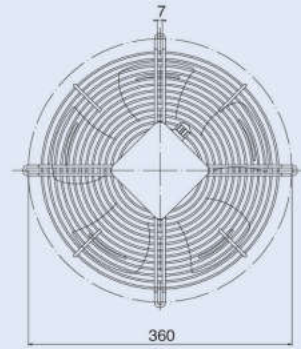
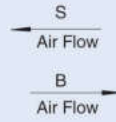
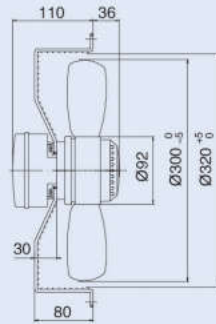
CURVE NO. 曲线	PRESSURE 静压点 Pa	SPEED 转速 r/min	INPUT 功率 W	CURRENT 电流 A	AIR FLOW 风量 m ³ /h
Ⓐ	20	2755	68	0.31	1140
	40	2710	71	0.33	1070
Ⓑ	20	3270	86	0.72	1345
	40	3220	92	0.76	1280
Ⓒ	20	1450	48	0.23	700
	40	1435	49	0.24	490
Ⓓ	20	1720	62	0.51	825
	40	1705	64	0.53	520
Ⓔ	20	2730	70	0.17	1165
	40	2680	76	0.18	1100
Ⓕ	20	1455	58	0.17	740
	40	1440	59	0.17	410

AC 外转子轴流风机 Axial Fans $\Phi 300$

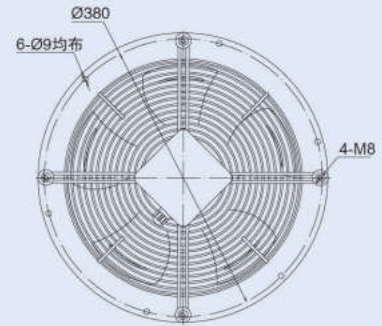
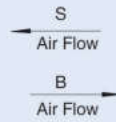
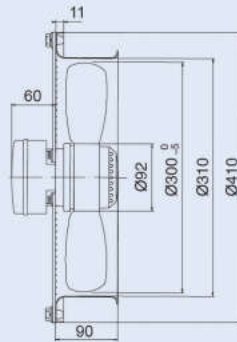
EC系列 EC AXIAL FANS



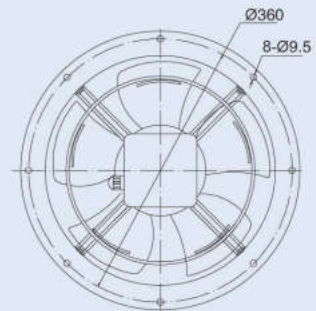
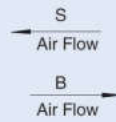
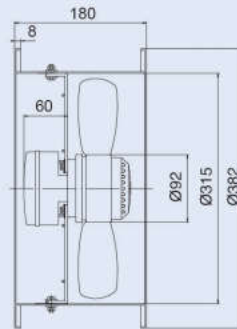
网罩风机G
Grid Fan



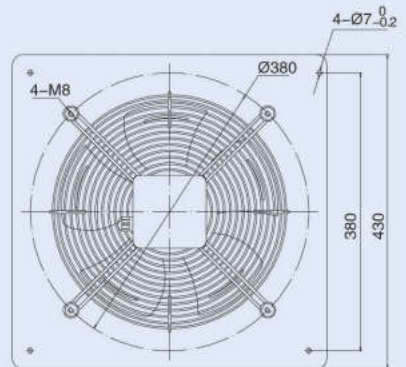
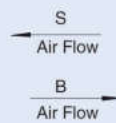
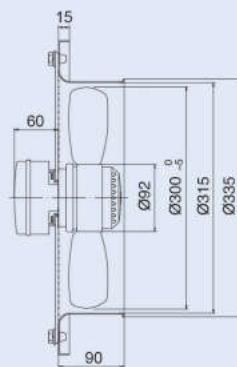
圆框风机R
Round Frame Fan



圆筒风机T
Cylinder Fan



方框风机B0
Square Frame Fan B0



DC系列 DC AXIAL FANS

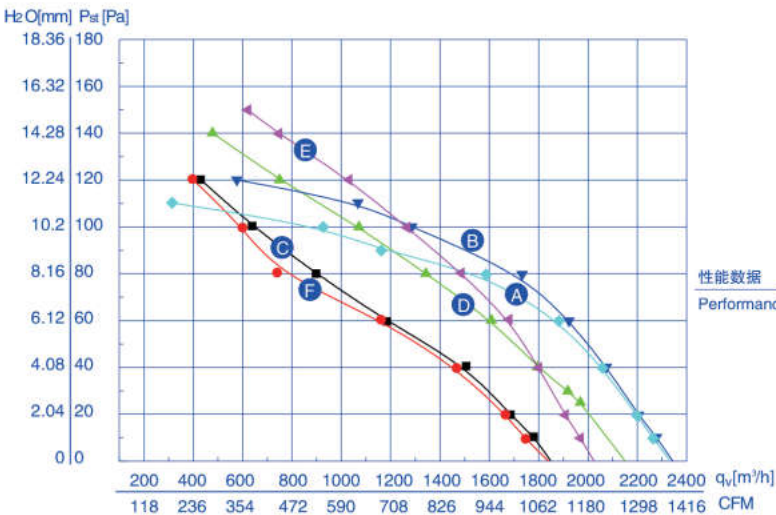
AC系列 AC AXIAL FANS



工作方式: S1
 绝缘等级: B、F
 防护等级: IP44、IP54
 环境温度: -30℃~60℃
 认证: CCC、CE、UL
 能效指标: 符合ErP2015

 Mode of operation: S1
 Insulation class: B、F
 Type of protection: IP44、IP54
 Ambient temperature: -30℃~60℃
 Certificates: CCC、CE、UL
 Target energy efficiency: ErP2015

型号	额定电压	频率	额定电流	输入功率	额定转速	最大风量	电容	噪音	净重	曲线
TYPE	VOLTAGE V	FREQUENCY Hz	CURRENT A	INPUT W	SPEED r/min	AIR FLOW m³/h	CAPACITANCE μF	NOISE dBA	NET WEIGHT kg	CURVE NO.
YWF2E-300S-92/35	220	50	0.66	145	2300	2330	4	62	3.0	(A)
	120	60	1.76	210	2300	2340	16	62	3.0	(B)
YWF4E-300S-92/35	220	50	0.42	85	1380	1845	3	60	3.0	(C)
	120	60	0.85	95	1550	2150	10	60	3.0	(D)
YWF2D-300S-92/35	380	50	0.25	145	2340	2025	/	62	3.0	(E)
YWF4D-300S-92/35	380	50	0.22	75	1380	1835	/	60	3.0	(F)



CURVE NO. 曲线	PRESSURE 静压点 Pa	SPEED 转速 r/min	INPUT 功率 W	CURRENT 电流 A	AIR FLOW 风量 m³/h
(A)	20	2465	135	0.61	2200
	60	2310	149	0.68	1880
(B)	20	2840	187	1.60	2205
	60	2705	195	1.66	1920
(C)	20	1410	90	0.41	1690
	60	1365	98	0.45	1185
(D)	20	1655	100	0.85	1975
	60	1595	118	0.99	1605
(E)	20	2530	115	0.22	1910
	60	2445	126	0.23	1680
(F)	20	1380	80	0.20	1670
	60	1330	92	0.21	1160

AC 外转子轴流风机 Axial Fans $\Phi 315$

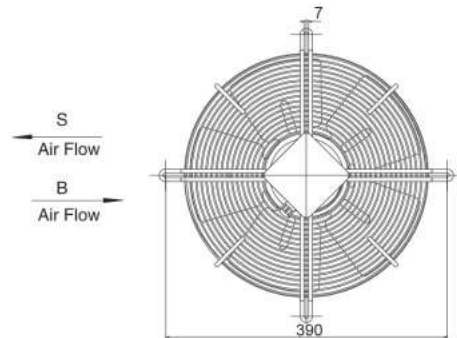
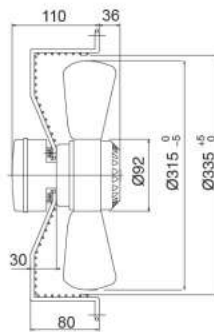


工作方式: S1
 绝缘等级: B、F
 防护等级: IP44、IP54
 环境温度: -30°C ~ 60°C
 认证: CCC、CE、UL

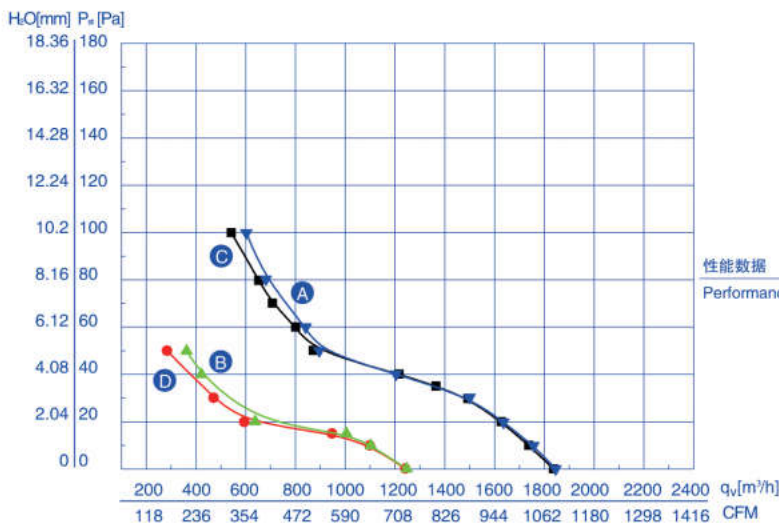
Mode of operation: S1
 Insulation class: B、F
 Type of protection: IP44、IP54
 Ambient temperature: -30°C ~ 60°C
 Certificates: CCC、CE、UL



网罩风机G Grid Fan



型号	额定电压	频率	额定电流	输入功率	额定转速	最大风量	电容	噪音	净重	曲线
TYPE	VOLTAGE	FREQUENCY	CURRENT	INPUT	SPEED	AIR FLOW	CAPACITANCE	NOISE	NET WEIGHT	CURVE NO.
	V	Hz	A	W	r/min	m^3/h	μF	dB(A)	kg	
YWF4E-315S-92/35	220	50	0.45	95	1380	1845	4	61	3.5	(A)
YWF6E-315S-92/35	220	50	0.28	60	920	1245	2	51	3.5	(B)
YWF4D-315S-92/35	380	50	0.23	80	1300	1835	/	61	3.5	(C)
YWF6D-315S-92/35	380	50	0.16	55	920	1240	/	51	3.5	(D)



性能数据
Performance data

CURVE NO. 曲线	PRESSURE 静压点 Pa	SPEED 转速 r/min	INPUT 功率 W	CURRENT 电流 A	AIR FLOW 风量 m^3/h
(A)	20	1415	103	0.47	1635
	60	1380	109	0.50	840
(B)	20	940	58	0.27	635
	40	910	59	0.27	420
(C)	20	1395	74	0.21	1625
	60	1350	87	0.21	800
(D)	20	910	57	0.13	590
	50	860	63	0.14	280

AC 外转子轴流风机 Axial Fans $\Phi 330$

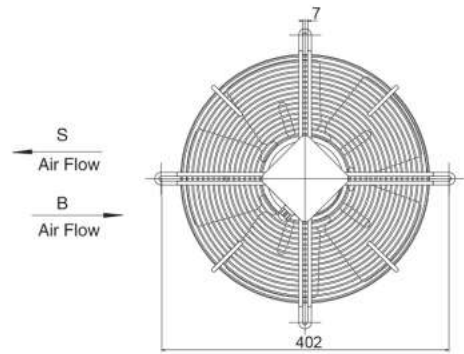
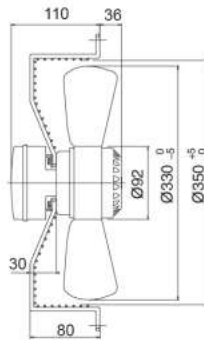


工作方式: S1
 绝缘等级: B、F
 防护等级: IP44、IP54
 环境温度: -30°C ~ 60°C
 认证: CCC、CE、UL

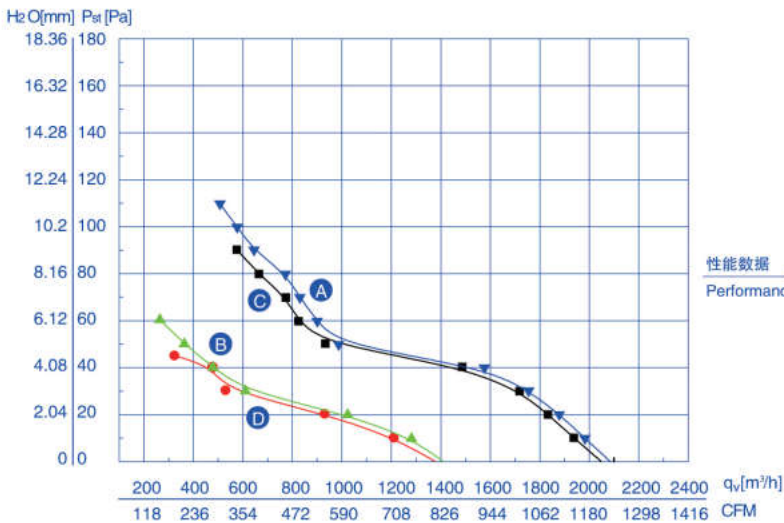
Mode of operation: S1
 Insulation class: B、F
 Type of protection: IP44、IP54
 Ambient temperature: -30°C ~ 60°C
 Certificates: CCC、CE、UL



网罩风机G Grid Fan



型号	额定电压	频率	额定电流	输入功率	额定转速	最大风量	电容	噪音	净重	曲线
TYPE	VOLTAGE	FREQUENCY	CURRENT	INPUT	SPEED	AIR FLOW	CAPACITANCE	NOISE	NET WEIGHT	CURVE NO.
	V	Hz	A	W	r/min	m ³ /h	μF	dBA	kg	
YWF4E-330S-92/35	220	50	0.50	100	1350	2085	4	63	4.0	(A)
YWF6E-330S-92/35	220	50	0.28	60	920	1410	2	53	4.0	(B)
YWF4D-330S-92/35	380	50	0.23	85	1300	2045	/	63	4.0	(C)
YWF6D-330S-92/35	380	50	0.15	55	920	1375	/	53	4.0	(D)



CURVE NO. 曲线	PRESSURE 静压点 Pa	SPEED 转速 r/min	INPUT 功率 W	CURRENT 电流 A	AIR FLOW 风量 m ³ /h
(A)	20	1415	105	0.48	1875
	60	1380	112	0.51	900
(B)	20	935	58	0.27	1020
	60	890	62	0.28	265
(C)	20	1390	82	0.21	1830
	60	1355	94	0.22	825
(D)	20	910	59	0.14	930
	40	880	65	0.14	480

AC 外转子轴流风机 Axial Fans $\Phi 350$

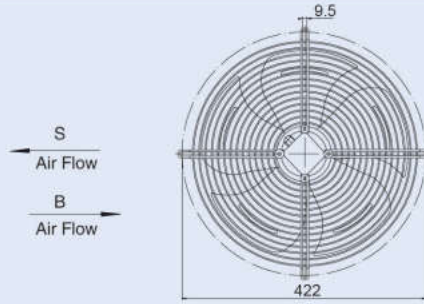
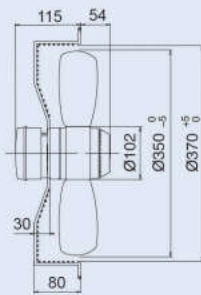
EC系列 EC AXIAL FANS

DC系列 DC AXIAL FANS

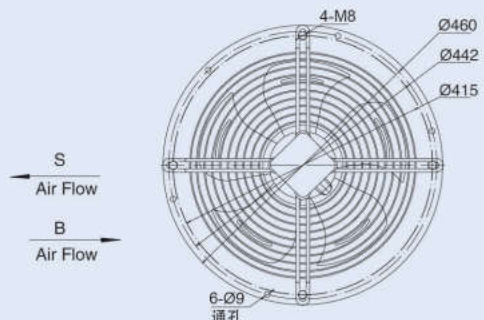
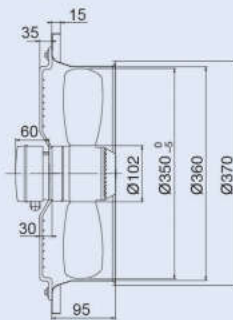
AC系列 AC AXIAL FANS



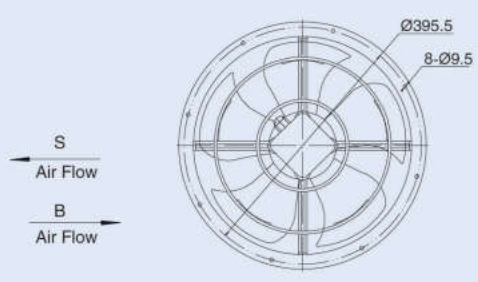
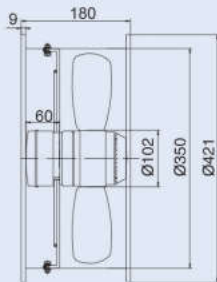
网罩风机G
Grid Fan



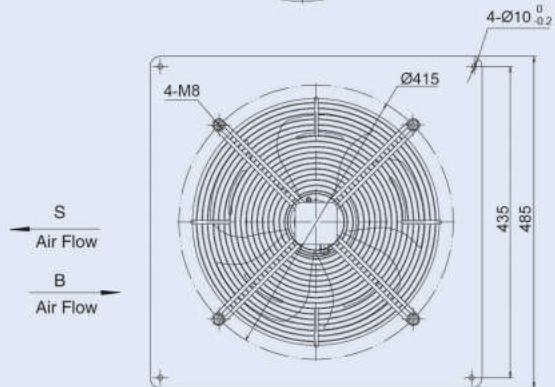
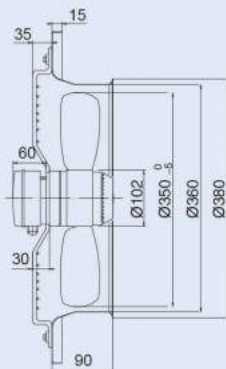
圆框风机R
Round Frame Fan



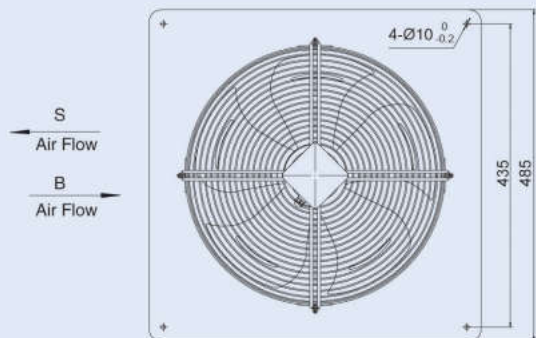
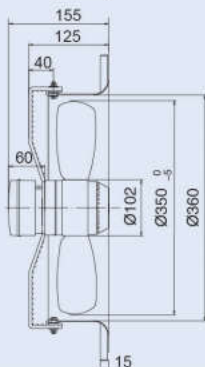
圆筒风机T
Cylinder Fan



方框风机B0
Square Frame Fan B0



方框风机B1
Square Frame Fan B1

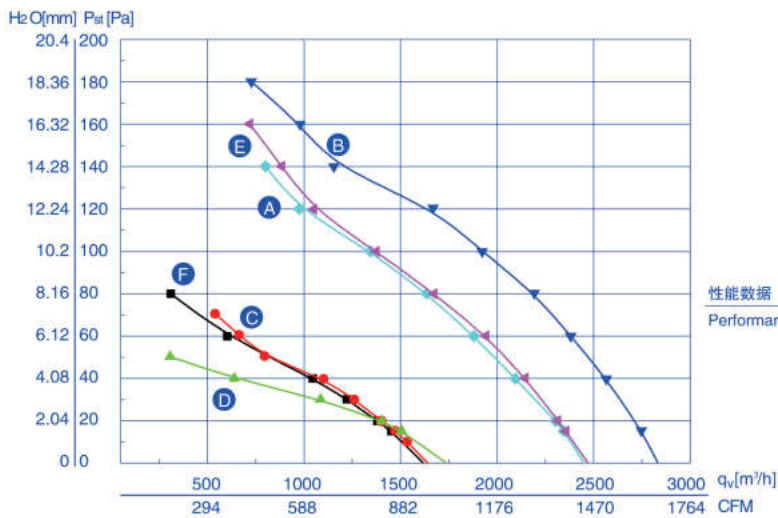




工作方式: S1
 绝缘等级: B、F
 防护等级: IP44、IP54
 环境温度: -30℃~60℃
 认证: CCC、CE、UL
 能效指标: 符合ErP2015

 Mode of operation: S1
 Insulation class: B、F
 Type of protection: IP44、IP54
 Ambient temperature: -30℃~60℃
 Certificates: CCC、CE、UL
 Target energy efficiency: ErP2015

型号	额定电压	频率	额定电流	输入功率	额定转速	最大风量	电容	噪音	净重	曲线
TYPE	VOLTAGE	FREQUENCY	CURRENT	INPUT	SPEED	AIR FLOW	CAPACITANCE	NOISE	NET WEIGHT	CURVE NO.
	V	Hz	A	W	r/min	m ³ /h	μF	dBA	kg	
YWF4E-350S-102/34	220	50	0.65	129	1400	2450	4	64	5.0	(A)
	120	60	1.65	180	1600	2830	16	64	5.0	(B)
YWF6E-350S-102/34	220	50	0.37	74	920	1615	3	56	5.0	(C)
	120	60	0.68	80	1080	1735	8	56	5.0	(D)
YWF4D-350S-102/34	380	50	0.40	129	1400	2470	/	64	5.0	(E)
YWF6D-350S-102/34	380	50	0.30	80	920	1640	/	56	5.0	(F)



CURVE NO. 曲线	PRESSURE 静压点 Pa	SPEED 转速 r/min	INPUT 功率 W	CURRENT 电流 A	AIR FLOW 风量 m ³ /h
(A)	20	1425	126	0.62	2300
	40	1415	132	0.64	2145
	60	1400	142	0.66	1910
(B)	15	1680	166	1.40	2745
	40	1665	175	1.48	2565
	60	1650	184	1.55	2380
(C)	20	945	74	0.36	1380
	40	925	77	0.36	1045
	60	910	80	0.37	600
(D)	20	960	75	0.63	1400
	40	825	74	0.63	635
(E)	20	1430	122	0.38	2305
	40	1425	130	0.38	2140
	60	1410	140	0.39	1935
(F)	20	960	84	0.30	1400
	40	950	91	0.30	1100
	60	940	96	0.30	660

AC 外转子轴流风机 Axial Fans $\Phi 400$

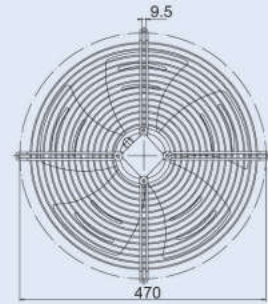
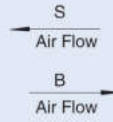
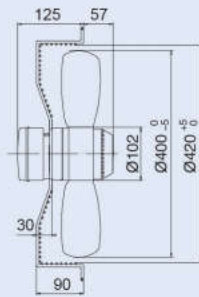
EC系列 EC AXIAL FANS

DC系列 DC AXIAL FANS

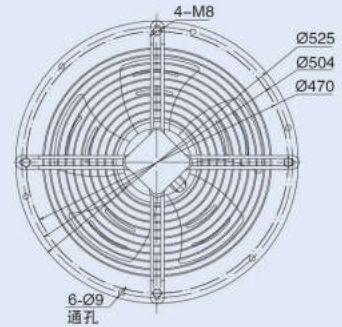
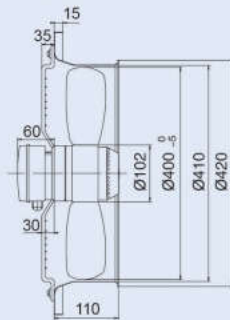
AC系列 AC AXIAL FANS



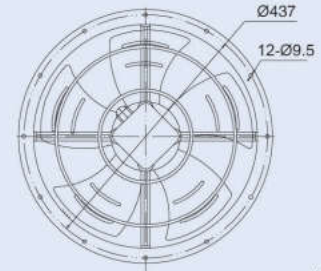
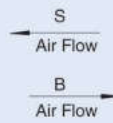
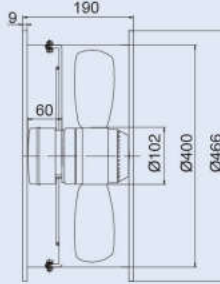
网罩风机G
Grid Fan



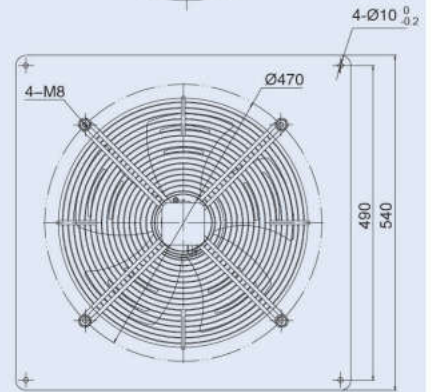
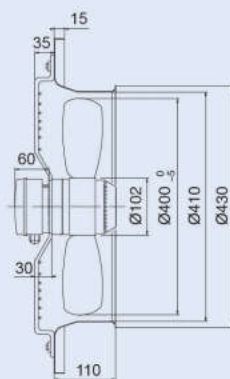
圆框风机R
Round Frame Fan



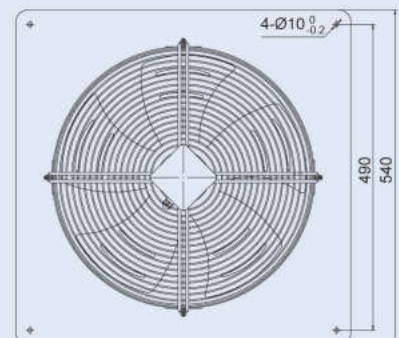
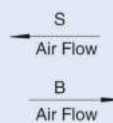
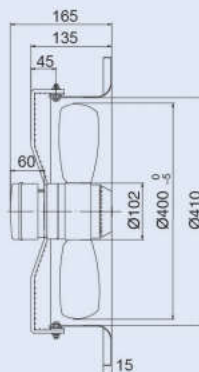
圆筒风机T
Cylinder Fan



方框风机B0
Square Frame Fan B0



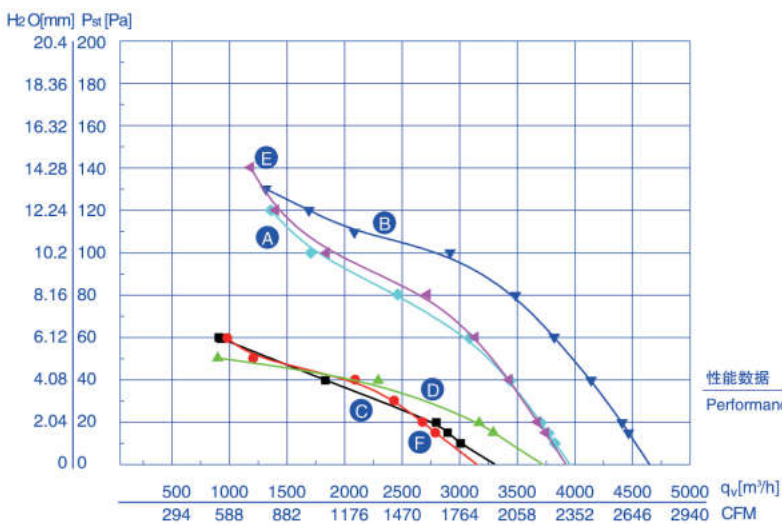
方框风机B1
Square Frame Fan B1





工作方式: S1
 绝缘等级: B、F
 防护等级: IP44、IP54
 环境温度: -30℃~60℃
 认证: CCC、CE、UL
 能效指标: 符合ErP2015
 Mode of operation: S1
 Insulation class: B、F
 Type of protection: IP44、IP54
 Ambient temperature: -30℃~60℃
 Certificates: CCC、CE、UL
 Target energy efficiency: ErP2015

型号	额定电压	频率	额定电流	输入功率	额定转速	最大风量	电容	噪音	净重	曲线
TYPE	VOLTAGE	FREQUENCY	CURRENT	INPUT	SPEED	AIR FLOW	CAPACITANCE	NOISE	NET WEIGHT	CURVE NO.
	V	Hz	A	W	r/min	m ³ /h	μF	dBA	kg	
YWF4E-400S-102/47	220	50	0.82	180	1380	3955	6	67	6.0	(A)
	120	60	2.35	250	1600	4645	22	67	6.0	(B)
YWF6E-400S-102/47	220	50	0.52	108	920	3295	4	59	6.0	(C)
	120	60	1.20	135	960	3720	12	59	6.0	(D)
YWF4D-400S-102/47	380	50	0.47	180	1380	3920	/	67	6.0	(E)
YWF6D-400S-102/47	380	50	0.35	108	920	3145	/	59	6.0	(F)



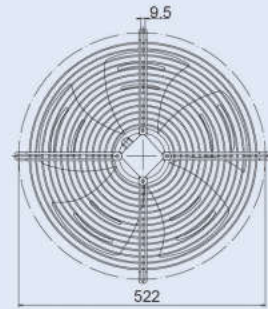
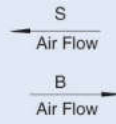
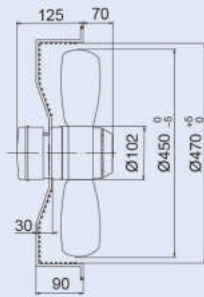
CURVE NO. 曲线	PRESSURE 静压点 Pa	SPEED 转速 r/min	INPUT 功率 W	CURRENT 电流 A	AIR FLOW 风量 m ³ /h
(A)	20	1410	156	0.72	3700
	40	1400	167	0.77	3435
	60	1385	178	0.81	3085
(B)	20	1635	221	1.89	4410
	40	1620	233	1.98	4140
	60	1595	247	2.09	3820
(C)	20	900	106	0.51	2800
	40	870	117	0.55	1830
	60	840	127	0.59	925
(D)	20	995	124	1.03	3165
	40	940	134	1.11	2290
(E)	20	1410	160	0.44	3675
	40	1405	170	0.45	3425
	60	1390	183	0.45	3130
(F)	20	930	110	0.32	2670
	40	920	120	0.32	2090
	60	905	131	0.33	980

AC 外转子轴流风机 Axial Fans $\Phi 450$

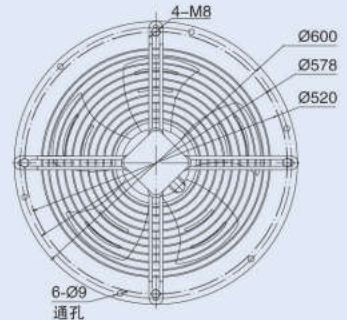
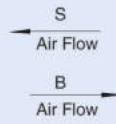
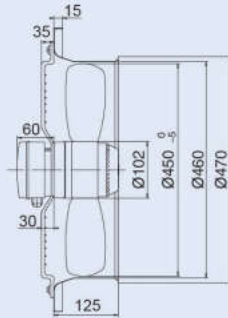
EC系列 EC AXIAL FANS



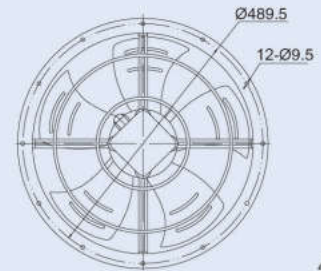
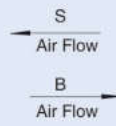
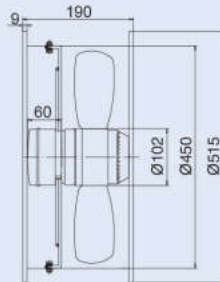
网罩风机G
Grid Fan



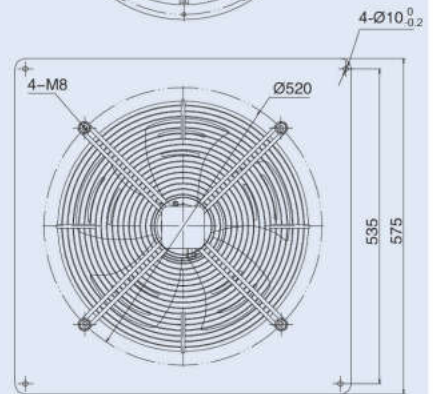
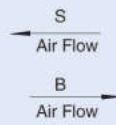
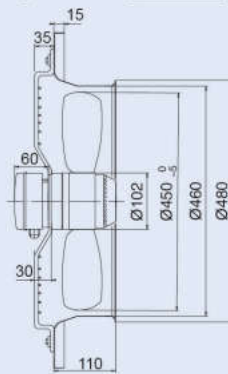
圆框风机R
Round Frame Fan



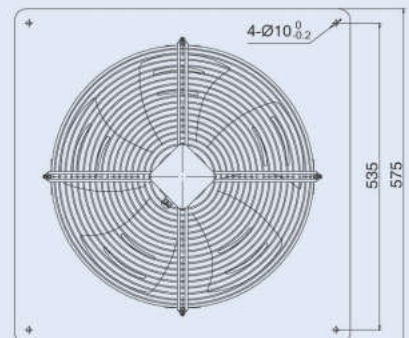
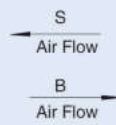
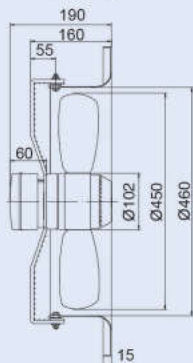
圆筒风机T
Cylinder Fan



方框风机B0
Square Frame Fan B0



方框风机B1
Square Frame Fan B1



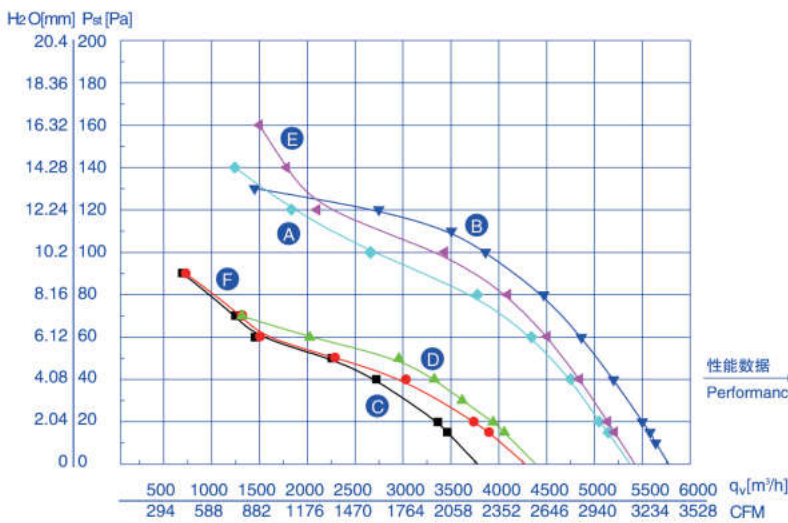
DC系列 DC AXIAL FANS

AC系列 AC AXIAL FANS



工作方式: S1
 绝缘等级: B、F
 防护等级: IP44、IP54
 环境温度: -30℃~60℃
 认证: CCC、CE、UL
 能效指标: 符合ErP2015
 Mode of operation: S1
 Insulation class: B、F
 Type of protection: IP44、IP54
 Ambient temperature: -30℃~60℃
 Certificates: CCC、CE、UL
 Target energy efficiency: ErP2015

型号	额定电压	频率	额定电流	输入功率	额定转速	最大风量	电容	噪音	净重	曲线
TYPE	VOLTAGE V	FREQUENCY Hz	CURRENT A	INPUT W	SPEED r/min	AIR FLOW m ³ /h	CAPACITANCE μF	NOISE dBA	NET WEIGHT kg	CURVE NO.
YWF4E-450S-102/60	220	50	1.15	250	1350	5365	8	69	8.0	(A)
	120	60	2.55	300	1600	5770	32	69	8.0	(B)
YWF6E-450S-102/60	220	50	0.75	138	920	3775	6	61	8.0	(C)
	120	60	1.52	180	1050	4375	20	61	8.0	(D)
YWF4D-450S-102/60	380	50	0.55	250	1350	5415	/	69	8.0	(E)
YWF6D-450S-102/60	380	50	0.40	150	900	4270	/	61	8.0	(F)

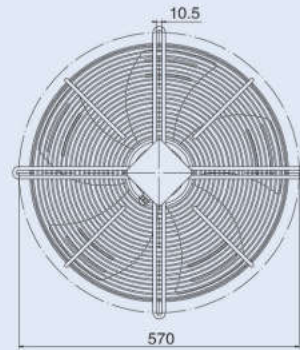
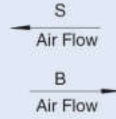
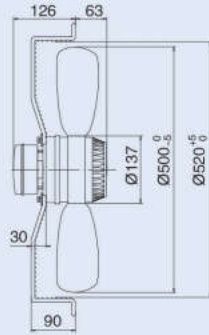


CURVE NO. 曲线	PRESSURE 静压点 Pa	SPEED 转速 r/min	INPUT 功率 W	CURRENT 电流 A	AIR FLOW 风量 m ³ /h
(A)	20	1350	245	1.11	5050
	40	1335	261	1.19	4750
	60	1320	272	1.23	4340
(B)	20	1595	333	2.88	5500
	40	1565	347	2.97	5195
	60	1550	360	3.04	4860
(C)	20	930	150	0.68	3365
	40	915	155	0.71	2720
	60	900	162	0.74	1450
(D)	20	1065	169	1.48	3940
	40	1030	179	1.58	3325
	60	960	197	1.75	2025
(E)	20	1370	240	0.52	5140
	40	1355	250	0.54	4845
	60	1345	268	0.56	4505
(F)	20	905	148	0.40	3740
	40	890	158	0.40	3030
	60	870	173	0.41	1505

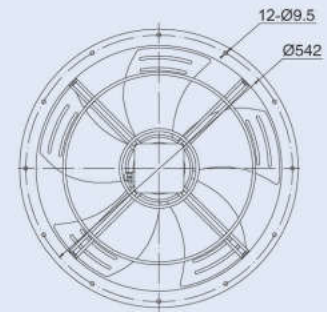
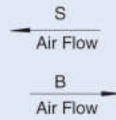
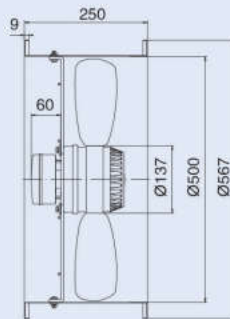
AC 外转子轴流风机 Axial Fans $\Phi 500$



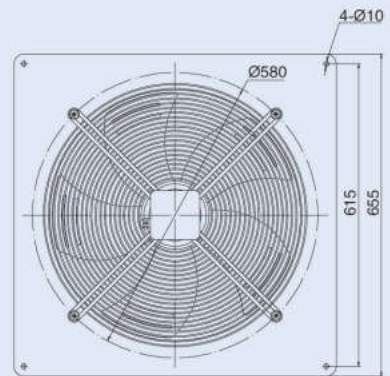
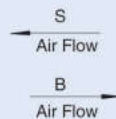
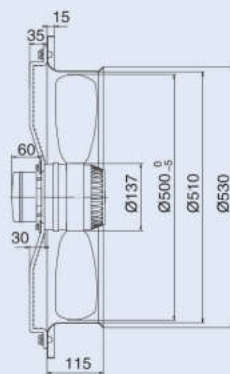
网罩风机G
Grid Fan



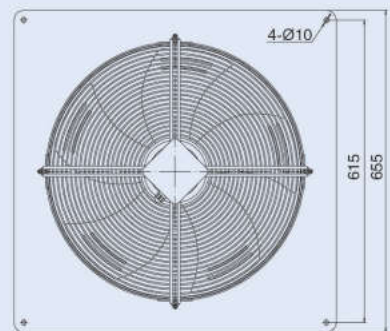
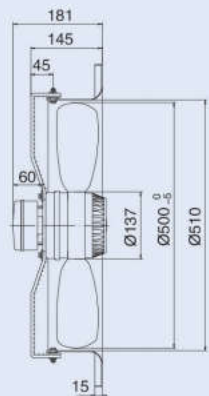
圆筒风机T
Cylinder Fan



方框风机B0
Square Frame Fan B0



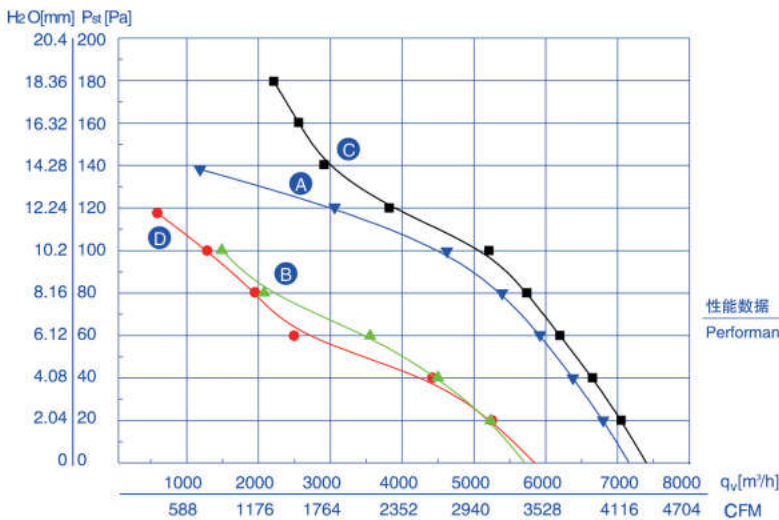
方框风机B1
Square Frame Fan B1





工作方式: S1
 绝缘等级: B、F
 防护等级: IP44、IP54
 环境温度: -30℃~60℃
 认证: CCC、CE、UL
 能效指标: 符合ErP2015
 Mode of operation: S1
 Insulation class: B、F
 Type of protection: IP44、IP54
 Ambient temperature: -30℃~60℃
 Certificates: CCC、CE、UL
 Target energy efficiency: ErP2015

型号	额定电压	频率	额定电流	输入功率	额定转速	最大风量	电容	噪音	净重	曲线
TYPE	VOLTAGE	FREQUENCY	CURRENT	INPUT	SPEED	AIR FLOW	CAPACITANCE	NOISE	NET WEIGHT	CURVE NO.
	V	Hz	A	W	r/min	m ³ /h	μF	dBA	kg	
YWF4E-500S-137/35	220	50	1.85	380	1320	7155	10	71	9.0	Ⓐ
YWF6E-500S-137/35	220	50	1.05	230	900	5705	10	66	9.0	Ⓑ
YWF4D-500S-137/35	380	50	0.85	414	1300	7395	/	71	9.0	Ⓒ
YWF6D-500S-137/35	380	50	0.55	210	900	5840	/	66	9.0	Ⓓ



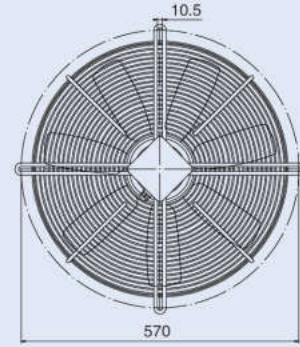
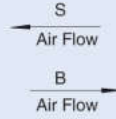
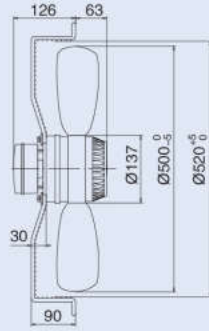
CURVE NO. 曲线	PRESSURE 静压点 Pa	SPEED 转速 r/min	INPUT 功率 W	CURRENT 电流 A	AIR FLOW 风量 m ³ /h
Ⓐ	20	1370	338	1.51	6800
	60	1340	373	1.70	5915
	80	1325	397	1.80	5390
Ⓑ	20	930	218	1.01	5230
	60	910	239	1.11	3555
	80	900	256	1.18	2075
Ⓒ	20	1360	370	0.79	7050
	60	1335	408	0.84	6195
	80	1320	433	0.87	5735
Ⓓ	20	915	205	0.52	5250
	60	895	231	0.55	2495
	80	870	258	0.58	1945

AC 外转子轴流风机 Axial Fans $\Phi 500$

EC系列 EC AXIAL FANS



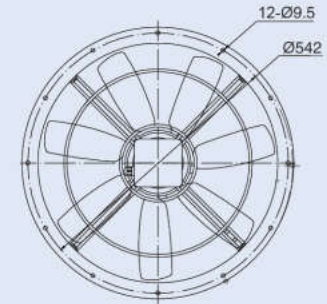
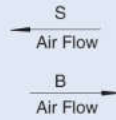
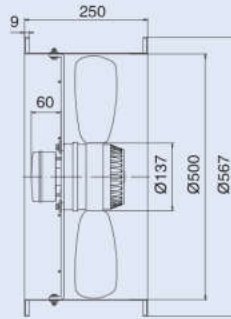
网罩风机G
Grid Fan



DC系列 DC AXIAL FANS



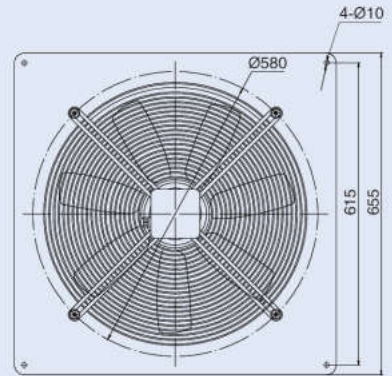
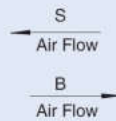
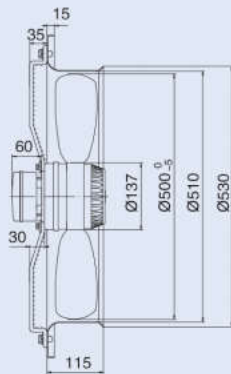
圆筒风机T
Cylinder Fan



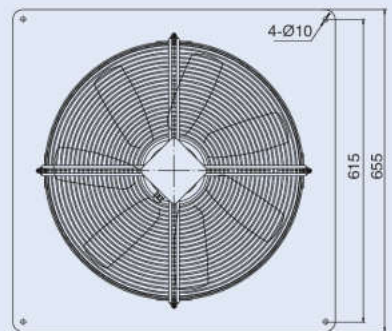
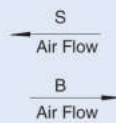
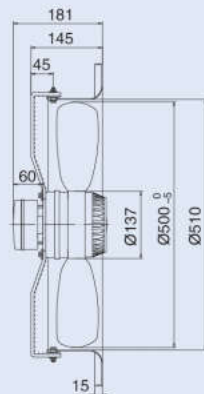
AC系列 AC AXIAL FANS



方框风机B0
Square Frame Fan B0



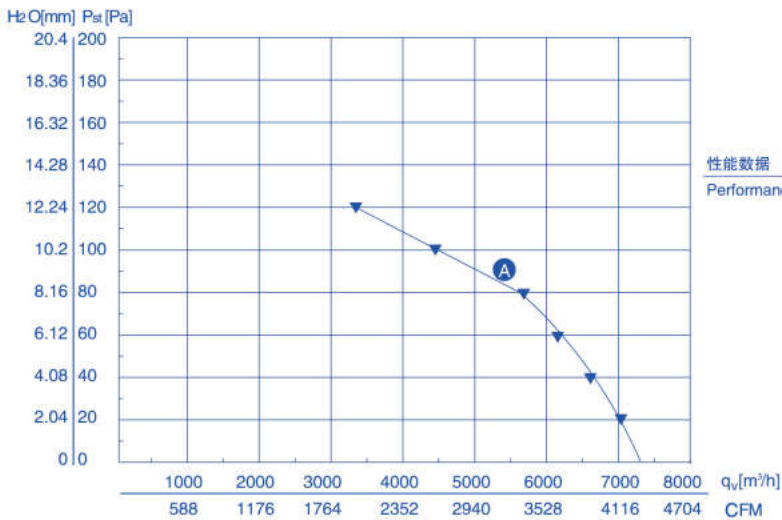
方框风机B1
Square Frame Fan B1





工作方式: S1
 绝缘等级: B、F
 防护等级: IP44、IP54
 环境温度: -30℃~60℃
 认证: CCC、CE、UL
 能效指标: 符合ErP2015
 Mode of operation: S1
 Insulation class: B、F
 Type of protection: IP44、IP54
 Ambient temperature: -30℃~60℃
 Certificates: CCC、CE、UL
 Target energy efficiency: ErP2015

型号	额定电压	频率	额定电流	输入功率	额定转速	最大风量	电容	噪音	净重	曲线
TYPE	VOLTAGE	FREQUENCY	CURRENT	INPUT	SPEED	AIR FLOW	CAPACITANCE	NOISE	NET WEIGHT	CURVE NO.
	V	Hz	A	W	r/min	m ³ /h	μF	dBA	kg	Ⓐ
YWF4D-500S-137/35	380	50	1.2	450	1390	7385	/	75	9.0	Ⓐ



CURVE NO. 曲线	PRESSURE 静压点 Pa	SPEED 转速 r/min	INPUT 功率 W	CURRENT 电流 A	AIR FLOW 风量 m ³ /h
Ⓐ	20	1390	435	1.16	7040
	60	1385	460	1.16	6185
	80	1380	475	1.16	5680

AC 外转子轴流风机 Axial Fans $\Phi 500$

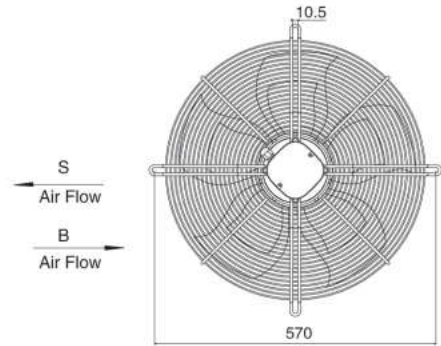
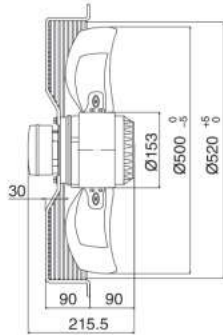


工作方式: S1
 绝缘等级: B、F
 防护等级: IP44、IP54
 环境温度: -30°C ~ 60°C
 认证: CCC、CE

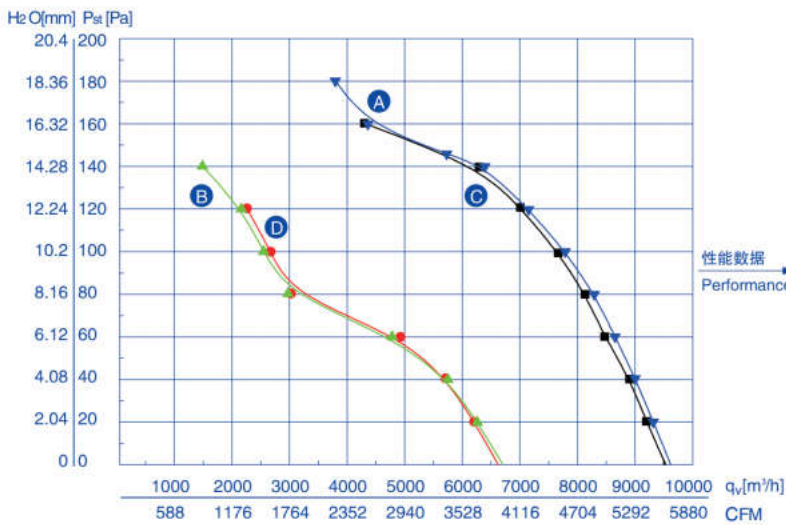
 Mode of operation: S1
 Insulation class: B、F
 Type of protection: IP44、IP54
 Ambient temperature: -30°C ~ 60°C
 Certificates: CCC、CE



网罩风机G Grid Fan



型号	额定电压	频率	额定电流	输入功率	额定转速	最大风量	电容	噪音	净重	曲线
TYPE	VOLTAGE	FREQUENCY	CURRENT	INPUT	SPEED	AIR FLOW	CAPACITANCE	NOISE	NET WEIGHT	CURVE NO.
	V	Hz	A	W	r/min	m ³ /h	μF	dBA	kg	
YWF4E-500S-145/65	220	50	4.15	900	1325	9615	16	72	18	(A)
YWF6E-500S-145/65	220	50	1.90	320	880	6700	10	68	18	(B)
YWF4D-500S-145/65	380	50	1.50	800	1320	9530	/	72	18	(C)
YWF6D-500S-145/65	380	50	1.00	270	900	6620	/	68	18	(D)



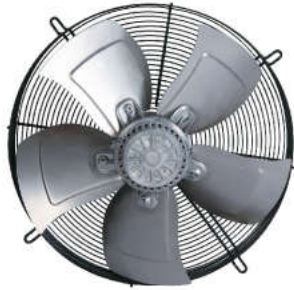
CURVE NO. 曲线	PRESSURE 静压点 Pa	SPEED 转速 r/min	INPUT 功率 W	CURRENT 电流 A	AIR FLOW 风量 m ³ /h
(A)	20	1400	759	3.52	9315
	60	1385	814	3.79	8650
	80	1380	838	3.89	8285
(B)	20	955	319	1.89	6260
	60	950	348	1.96	4780
	80	945	358	1.98	2970
(C)	20	1380	704	1.38	9195
	60	1375	746	1.44	8475
	80	1365	778	1.48	8135
(D)	20	960	287	1.15	6205
	60	955	323	1.17	4925
	80	950	336	1.17	3025

AC 外转子轴流风机 Axial Fans $\Phi 560$

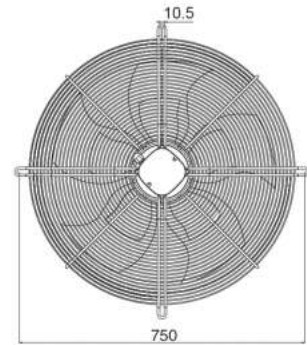
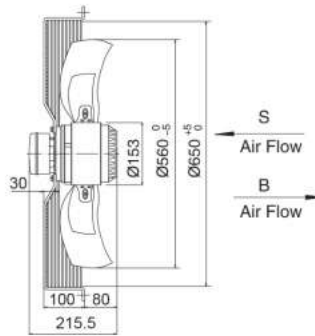


工作方式: S1
 绝缘等级: B、F
 防护等级: IP44、IP54
 环境温度: -30°C ~ 60°C
 认证: CCC、CE

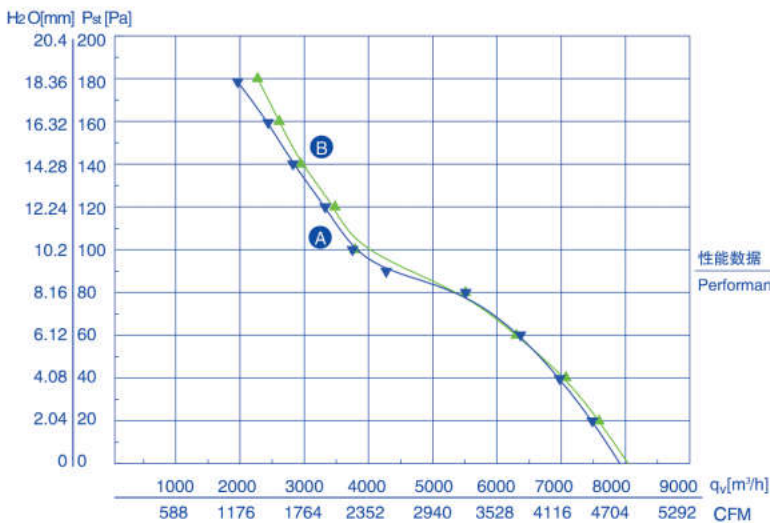
Mode of operation: S1
 Insulation class: B、F
 Type of protection: IP44、IP54
 Ambient temperature: -30°C ~ 60°C
 Certificates: CCC、CE



网罩风机G Grid Fan



型号	额定电压	频率	额定电流	输入功率	额定转速	最大风量	电容	噪音	净重	曲线
TYPE	VOLTAGE	FREQUENCY	CURRENT	INPUT	SPEED	AIR FLOW	CAPACITANCE	NOISE	NET WEIGHT	CURVE NO.
	V	Hz	A	W	r/min	m ³ /h	μF	dBA	kg	
YWF6E-560S-145/65	220	50	2.30	500	900	7910	12	72	18	(A)
YWF6D-560S-145/65	380	50	1.30	380	900	8050	/	72	18	(B)



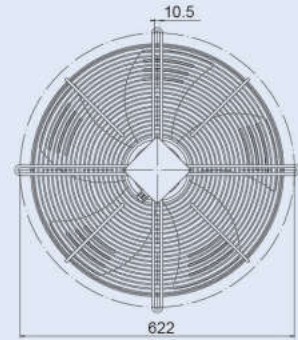
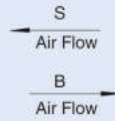
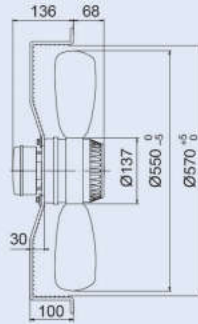
CURVE NO. 曲线	PRESSURE 静压点 Pa	SPEED 转速 r/min	INPUT 功率 W	CURRENT 电流 A	AIR FLOW 风量 m ³ /h
(A)	20	945	370	1.94	7485
	60	935	410	2.09	6365
	80	930	433	2.17	5510
(B)	20	950	346	1.18	7590
	60	940	388	1.21	6295
	80	935	409	1.23	5510

AC 外转子轴流风机 Axial Fans $\Phi 550$

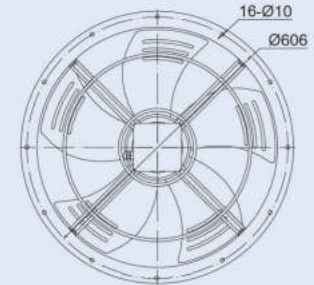
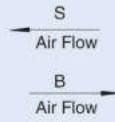
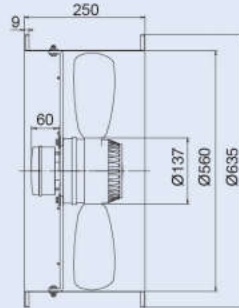
EC系列 EC AXIAL FANS



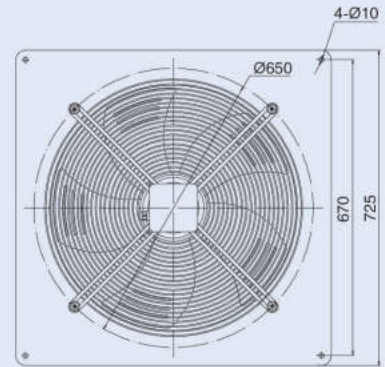
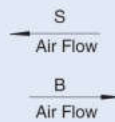
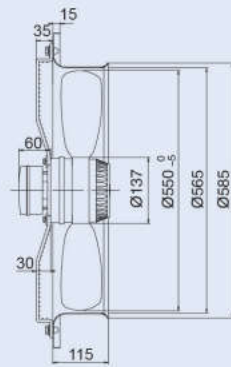
网罩风机G
Grid Fan



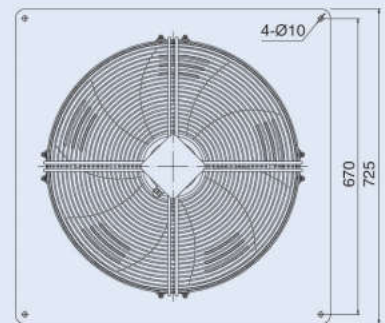
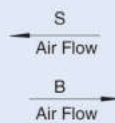
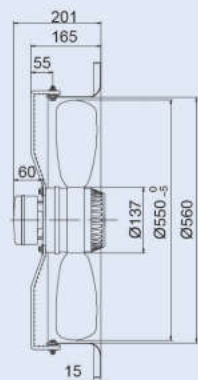
圆筒风机T
Cylinder Fan



方框风机B0
Square Frame Fan B0



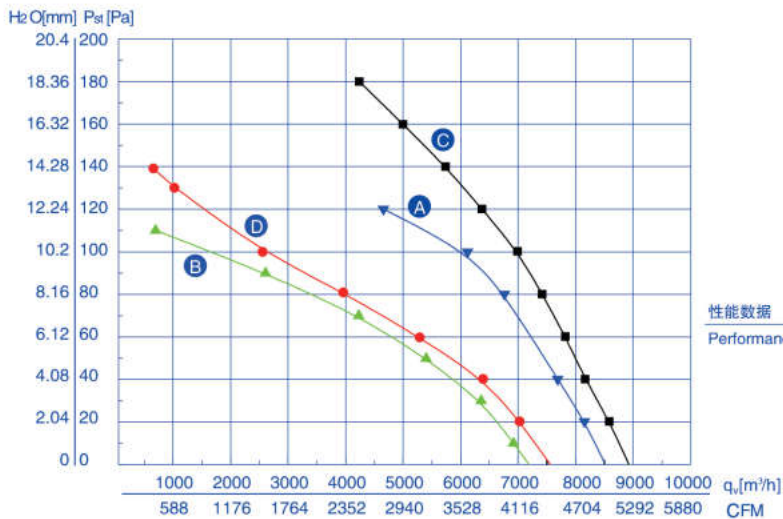
方框风机B1
Square Frame Fan B1





工作方式: S1
 绝缘等级: B、F
 防护等级: IP44、IP54
 环境温度: -30℃~60℃
 认证: CCC、CE、UL
 能效指标: 符合ErP2015
 Mode of operation: S1
 Insulation class: B、F
 Type of protection: IP44、IP54
 Ambient temperature: -30℃~60℃
 Certificates: CCC、CE、UL
 Target energy efficiency: ErP2015

型号	额定电压	频率	额定电流	输入功率	额定转速	最大风量	电容	噪音	净重	曲线
TYPE	VOLTAGE	FREQUENCY	CURRENT	INPUT	SPEED	AIR FLOW	CAPACITANCE	NOISE	NET WEIGHT	CURVE NO.
	V	Hz	A	W	r/min	m ³ /h	μF	dBA	kg	
YWF4E-550S-137/50	220	50	2.55	550	1300	8510	12	72	11	(A)
YWF6E-550S-137/50	220	50	1.45	310	900	7180	10	68	11	(B)
YWF4D-550S-137/50	380	50	1.20	600	1300	8920	/	72	11	(C)
YWF6D-550S-137/50	380	50	0.90	330	900	7555	/	68	11	(D)



CURVE NO. 曲线	PRESSURE 静压点 Pa	SPEED 转速 r/min	INPUT 功率 W	CURRENT 电流 A	AIR FLOW 风量 m ³ /h
(A)	20	1355	480	2.15	8150
	80	1300	549	2.51	6760
	100	1280	565	2.58	6115
(B)	20	910	292	1.35	6635
	50	900	306	1.47	5400
	90	850	370	1.75	2605
(C)	20	1380	515	1.10	8585
	80	1350	591	1.20	7415
	120	1335	635	1.25	6370
(D)	20	900	316	0.81	7025
	60	890	347	0.85	5290
	100	865	404	0.92	2555

AC 外转子轴流风机 Axial Fans $\Phi 600$

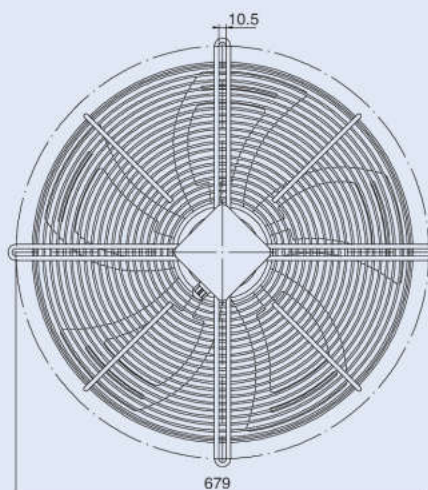
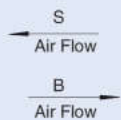
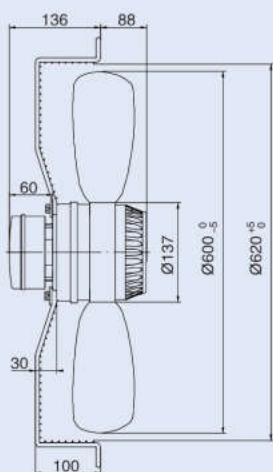
EC系列 EC AXIAL FANS

DC系列 DC AXIAL FANS

AC系列 AC AXIAL FANS



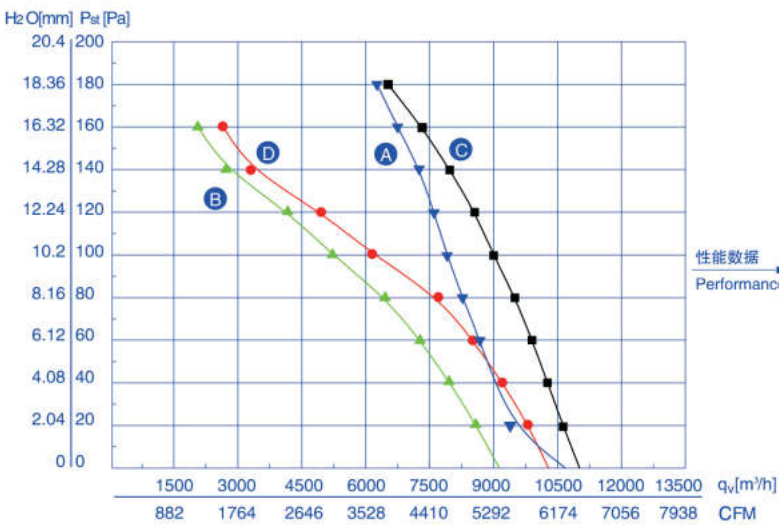
网罩风机G
Grid Fan





工作方式: S1
 绝缘等级: B、F
 防护等级: IP44、IP54
 环境温度: -30℃~60℃
 认证: CCC、CE、UL
 能效指标: 符合ErP2015
 Mode of operation: S1
 Insulation class: B、F
 Type of protection: IP44、IP54
 Ambient temperature: -30℃~60℃
 Certificates: CCC、CE、UL
 Target energy efficiency: ErP2015

型号	额定电压	频率	额定电流	输入功率	额定转速	最大风量	电容	噪音	净重	曲线
TYPE	VOLTAGE V	FREQUENCY Hz	CURRENT A	INPUT W	SPEED r/min	AIR FLOW m ³ /h	CAPACITANCE μF	NOISE dBA	NET WEIGHT kg	CURVE NO.
YWF4E-600S-137/70	220	50	3.20	700	1360	10040	16	74	14	Ⓐ
YWF6E-600S-137/70	220	50	2.45	480	900	9130	12	70	14	Ⓑ
YWF4D-600S-137/70	380	50	1.57	780	1360	11000	/	74	14	Ⓒ
YWF6D-600S-137/70	380	50	1.40	500	920	10285	/	70	14	Ⓓ

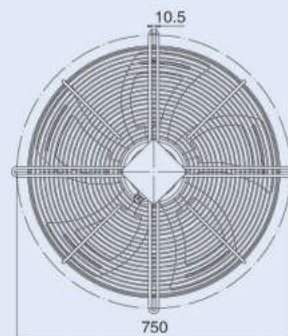
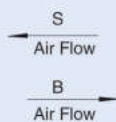
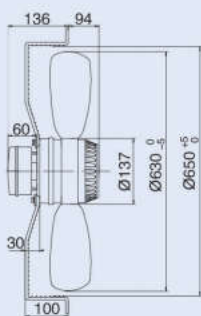


CURVE NO. 曲线	PRESSURE 静压点 Pa	SPEED 转速 r/min	INPUT 功率 W	CURRENT 电流 A	AIR FLOW 风量 m ³ /h
Ⓐ	20	1400	635	2.95	9040
	80	1390	695	3.26	7915
	160	1320	811	3.79	6265
Ⓑ	20	930	450	2.49	8580
	80	910	502	2.68	6455
	120	885	571	2.95	4170
Ⓒ	20	1370	748	1.50	10250
	80	1340	830	1.62	9945
	160	1315	982	1.85	8350
Ⓓ	20	930	490	1.44	9805
	80	920	551	1.49	7705
	120	905	625	1.54	4955

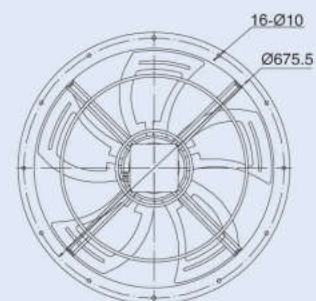
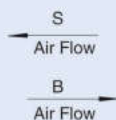
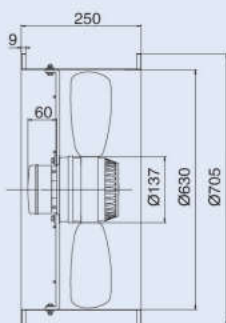
AC 外转子轴流风机 Axial Fans $\Phi 630$



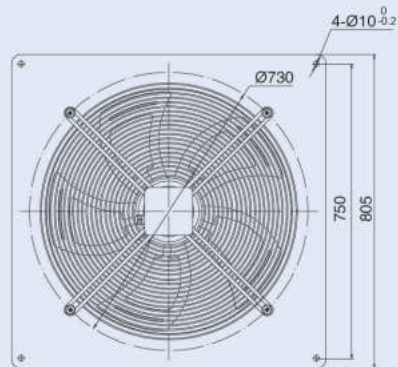
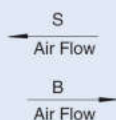
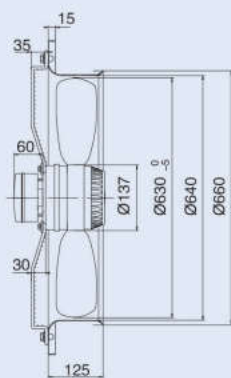
网罩风机G
Grid Fan



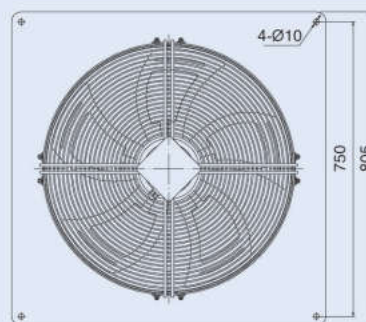
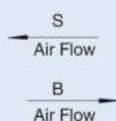
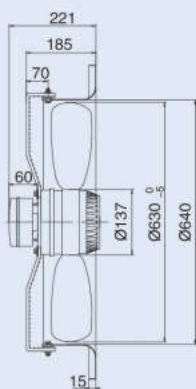
圆筒风机T
Cylinder Fan



方框风机B0
Square Frame Fan B0



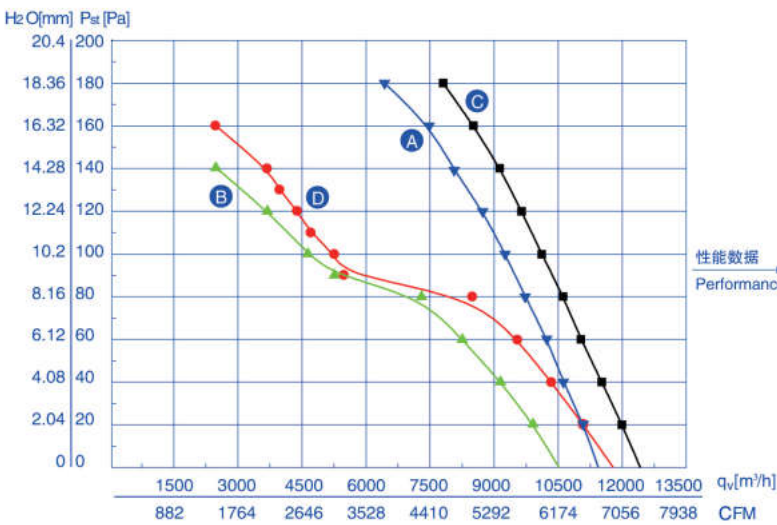
方框风机B1
Square Frame Fan B1





工作方式: S1
 绝缘等级: B、F
 防护等级: IP44、IP54
 环境温度: -30℃~60℃
 认证: CCC、CE、UL
 能效指标: 符合ErP2015
 Mode of operation: S1
 Insulation class: B、F
 Type of protection: IP44、IP54
 Ambient temperature: -30℃~60℃
 Certificates: CCC、CE、UL
 Target energy efficiency: ErP2015

型号	额定电压	频率	额定电流	输入功率	额定转速	最大风量	电容	噪音	净重	曲线
TYPE	VOLTAGE	FREQUENCY	CURRENT	INPUT	SPEED	AIR FLOW	CAPACITANCE	NOISE	NET WEIGHT	CURVE NO.
	V	Hz	A	W	r/min	m ³ /h	μF	dBA	kg	
YWF4E-630S-137/70	220	50	3.50	750	1360	11435	16	75	15	Ⓐ
YWF6E-630S-137/70	220	50	2.55	520	900	10515	12	71	15	Ⓑ
YWF4D-630S-137/70	380	50	1.60	800	1320	12420	/	75	15	Ⓒ
YWF6D-630S-137/70	380	50	1.45	550	900	11785	/	71	15	Ⓓ



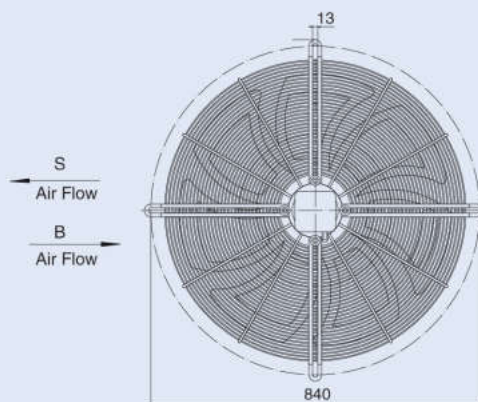
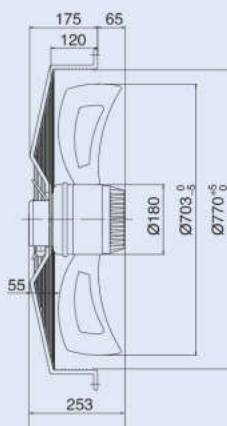
CURVE NO. 曲线	PRESSURE 静压点 Pa	SPEED 转速 r/min	INPUT 功率 W	CURRENT 电流 A	AIR FLOW 风量 m ³ /h
Ⓐ	20	1390	718	3.33	11080
	80	1365	807	3.80	9725
	160	1320	944	4.46	7480
Ⓑ	20	925	508	2.80	9910
	80	895	582	3.09	7295
	120	860	674	3.45	3690
Ⓒ	20	1370	768	1.56	12000
	80	1340	870	1.71	10615
	160	1315	982	1.85	8510
Ⓓ	20	920	574	1.57	11080
	80	900	649	1.63	8485
	120	880	724	1.68	4380

AC 外转子轴流风机 Axial Fans $\Phi 710$

EC系列 EC AXIAL FANS



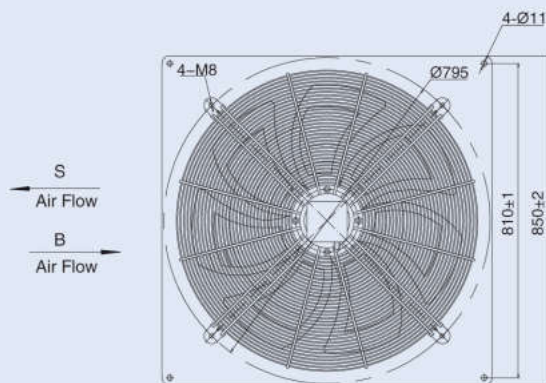
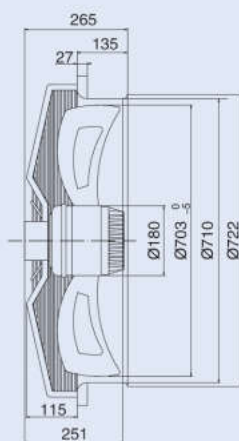
网罩风机G
Grid Fan



DC系列 DC AXIAL FANS



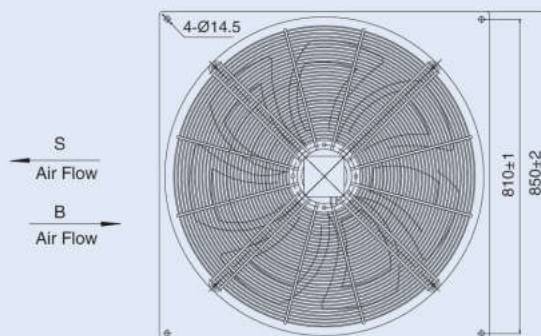
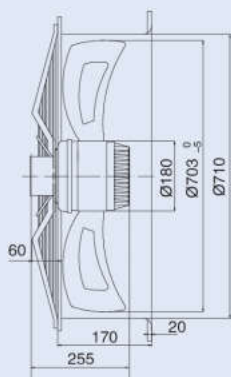
方框风机B0
Square Frame Fan B0



AC系列 AC AXIAL FANS



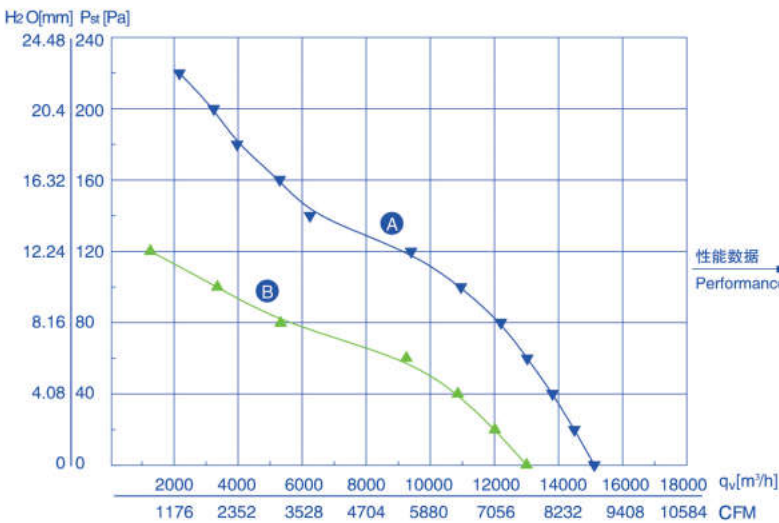
方框风机B1
Square Frame Fan B1





工作方式: S1
 绝缘等级: B、F
 防护等级: IP44、IP54
 环境温度: -30℃~60℃
 认证: CCC、CE
 能效指标: 符合ErP2015
 Mode of operation: S1
 Insulation class: B、F
 Type of protection: IP44、IP54
 Ambient temperature: -30℃~60℃
 Certificates: CCC、CE
 Target energy efficiency: ErP2015

型号	额定电压	频率	额定电流	输入功率	额定转速	最大风量	电容	噪音	净重	曲线
TYPE	VOLTAGE	FREQUENCY	CURRENT	INPUT	SPEED	AIR FLOW	CAPACITANCE	NOISE	NET WEIGHT	CURVE NO.
	V	Hz	A	W	r/min	m ³ /h	μF	dBA	kg	
YWF6D-710S-180/75	△380	50	1.90	900	900	15120	/	73	30	Ⓐ
	Y380	50	1.15	650	730	13005	/	72	30	Ⓑ



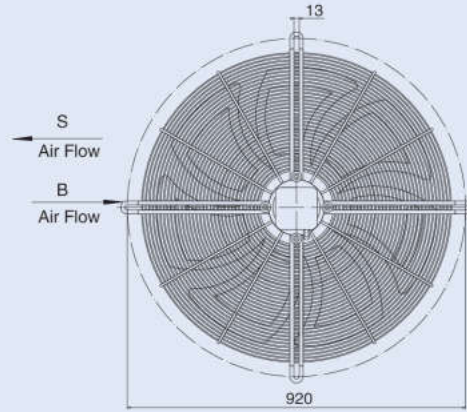
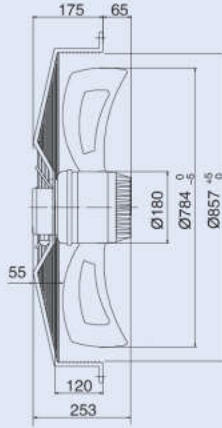
CURVE NO. 曲线	PRESSURE 静压点 Pa	SPEED 转速 r/min	INPUT 功率 W	CURRENT 电流 A	AIR FLOW 风量 m ³ /h
Ⓐ	20	920	790	1.70	14500
	60	905	868	1.73	13025
	120	890	1010	1.93	9400
	180	870	1156	2.14	3970
Ⓑ	20	765	626	1.20	12015
	60	715	685	1.23	9255
	80	700	696	1.25	5330
	100	655	754	1.36	3355

AC 外转子轴流风机 Axial Fans $\Phi 800$

EC系列 EC AXIAL FANS



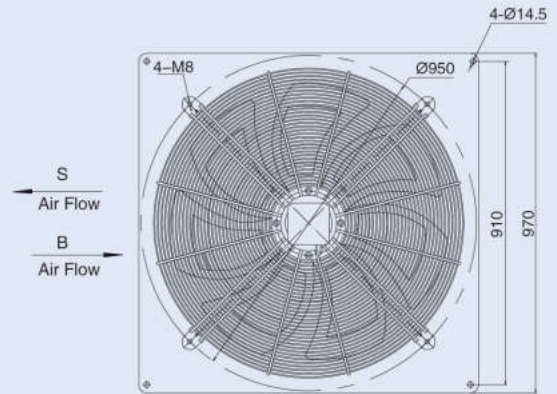
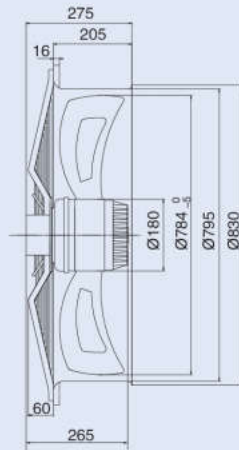
网罩风机G
Grid Fan



DC系列 DC AXIAL FANS



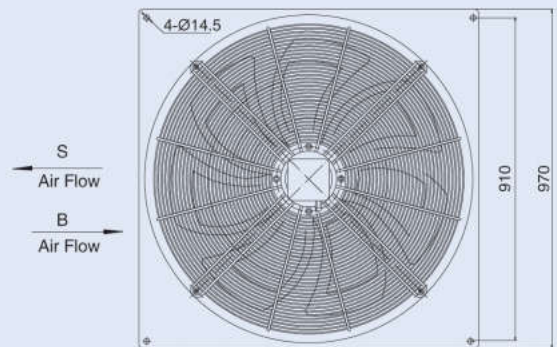
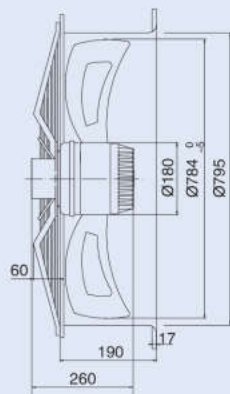
方框风机B0
Square Frame Fan B0



AC系列 AC AXIAL FANS



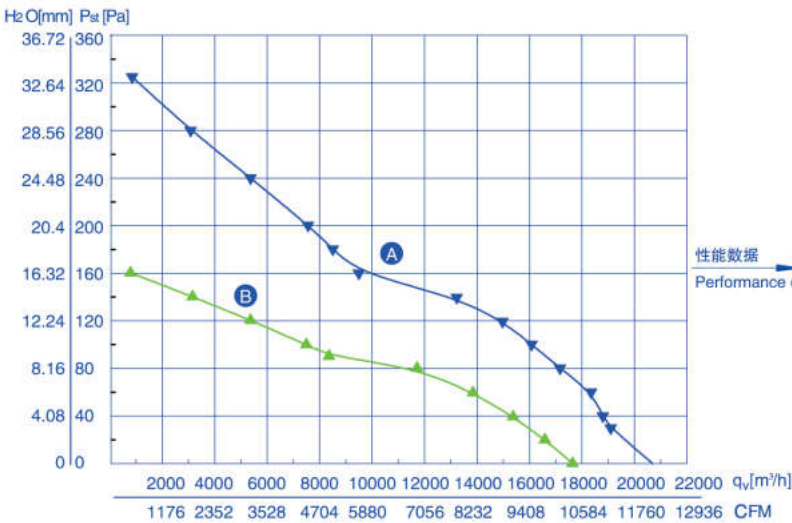
方框风机B1
Square Frame Fan B1





工作方式: S1
 绝缘等级: B、F
 防护等级: IP44、IP54
 环境温度: -30℃~60℃
 认证: CCC、CE
 能效指标: 符合ErP2015
 Mode of operation: S1
 Insulation class: B、F
 Type of protection: IP44、IP54
 Ambient temperature: -30℃~60℃
 Certificates: CCC、CE
 Target energy efficiency: ErP2015

型号	额定电压	频率	额定电流	输入功率	额定转速	最大风量	电容	噪音	净重	曲线
TYPE	VOLTAGE	FREQUENCY	CURRENT	INPUT	SPEED	AIR FLOW	CAPACITANCE	NOISE	NET WEIGHT	CURVE NO.
	V	Hz	A	W	r/min	m ³ /h	μF	dBA	kg	
YWF6D-800S-180/75	△380	50	2.85	1200	920	20695	/	75	35	Ⓐ
	Y 380	50	1.65	930	770	17635	/	74	35	Ⓑ



CURVE NO. 曲线	PRESSURE 静压点 Pa	SPEED 转速 r/min	INPUT 功率 W	CURRENT 电流 A	AIR FLOW 风量 m ³ /h
Ⓐ	20	930	1255	3.06	19860
	60	915	1389	3.16	18350
	120	905	1519	3.30	14970
	180	890	1663	3.46	8505
Ⓑ	20	780	975	1.85	16590
	60	735	1057	1.90	13845
	80	710	1109	2.00	11710
	100	705	1126	2.03	7495

AC FB系列外转子轴流风机 Axial Fans $\Phi 450$

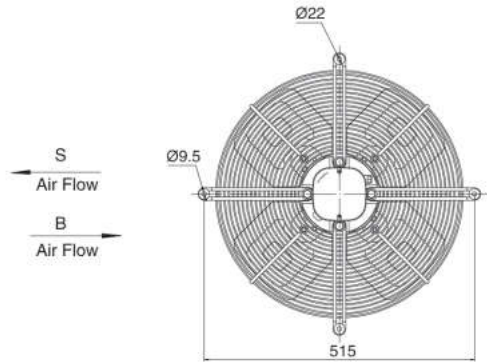
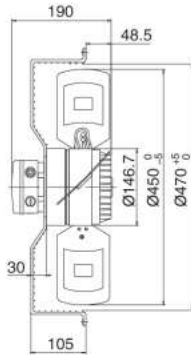


工作方式: S1
 绝缘等级: B、F
 防护等级: IP54
 环境温度: -30°C ~ 60°C
 认证: CCC、CE、UL

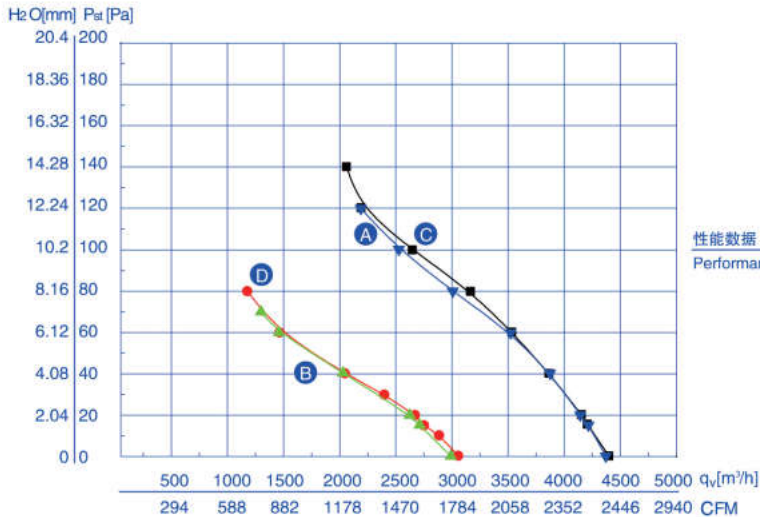
 Mode of operation: S1
 Insulation class: B、F
 Type of protection: IP54
 Ambient temperature: -30°C ~ 60°C
 Certificates: CCC、CE、UL



网罩风机G Grid Fan



型号	额定电压	频率	额定电流	输入功率	额定转速	最大风量	电容	噪音	净重	曲线
TYPE	VOLTAGE	FREQUENCY	CURRENT	INPUT	SPEED	AIR FLOW	CAPACITANCE	NOISE	NET WEIGHT	CURVE NO.
	V	Hz	A	W	r/min	m ³ /h	μF	dBA	kg	
YWF4E-450S-137/35-E	220	50	1.55	300	1400	4370	14	68	9.5	(A)
YWF6E-450S-137/35-E	220	50	0.90	130	950	2990	8	60	9.5	(B)
YWF4D-450S-137/35-E	380	50	0.75	300	1400	4400	/	68	9.5	(C)
YWF6D-450S-137/35-E	380	50	0.50	130	950	3055	/	60	9.5	(D)



CURVE NO. 曲线	PRESSURE 静压点 Pa	SPEED 转速 r/min	INPUT 功率 W	CURRENT 电流 A	AIR FLOW 风量 m ³ /h
(A)	20	1420	262	1.37	4140
	60	1405	293	1.52	3520
	80	1390	317	1.62	3005
(B)	20	955	118	0.83	2620
	40	945	128	0.86	2025
(C)	20	1425	265	0.67	4150
	60	1415	292	0.70	3530
	80	1410	309	0.72	3165
(D)	20	960	115	0.45	2670
	40	955	126	0.46	2045
	60	950	136	0.47	1465

AC FB系列外转子轴流风机 Axial Fans $\Phi 500$

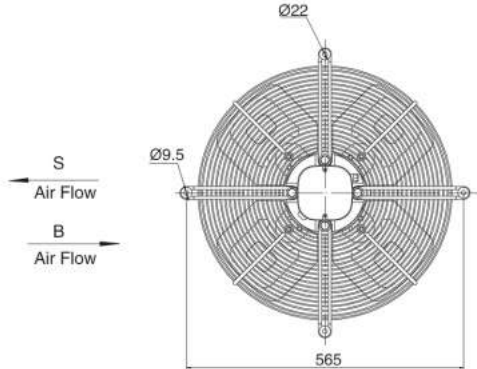
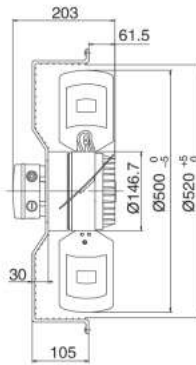


工作方式: S1
 绝缘等级: B、F
 防护等级: IP54
 环境温度: -30°C ~ 60°C
 认证: CCC、CE、UL

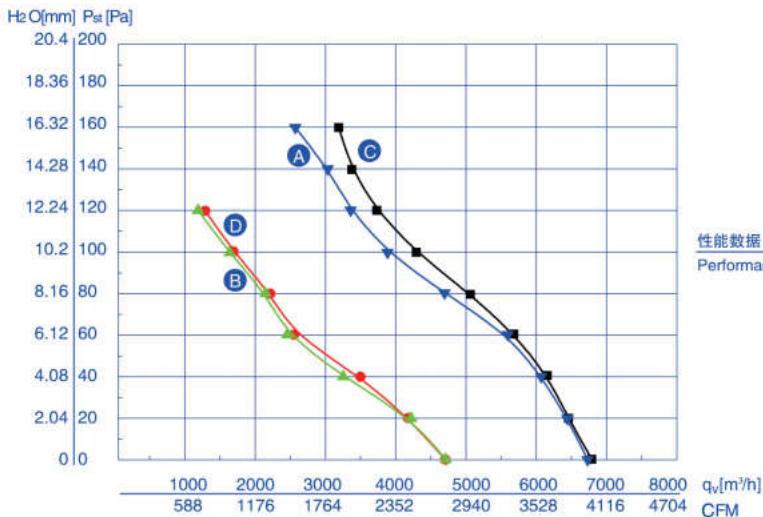
Mode of operation: S1
 Insulation class: B、F
 Type of protection: IP54
 Ambient temperature: -30°C ~ 60°C
 Certificates: CCC、CE、UL



网罩风机G Grid Fan



型号	额定电压	频率	额定电流	输入功率	额定转速	最大风量	电容	噪音	净重	曲线
TYPE	VOLTAGE	FREQUENCY	CURRENT	INPUT	SPEED	AIR FLOW	CAPACITANCE	NOISE	NET WEIGHT	CURVE NO.
	V	Hz	A	W	r/min	m ³ /h	μF	dBA	kg	
YWF4E-500S-137/50-E	220	50	2.55	550	1330	6730	12	72	11.5	(A)
YWF6E-500S-137/50-E	220	50	1.80	270	920	4710	16	68	11.5	(B)
YWF4D-500S-137/50-E	380	50	1.42	585	1390	6790	/	72	11.5	(C)
YWF6D-500S-137/50-E	380	50	1.00	270	950	4705	/	68	11.5	(D)



CURVE NO. 曲线	PRESSURE 静压点 Pa	SPEED 转速 r/min	INPUT 功率 W	CURRENT 电流 A	AIR FLOW 风量 m ³ /h
(A)	20	1385	530	2.39	6440
	60	1370	567	2.60	5590
	80	1355	601	2.75	4690
(B)	20	960	238	1.72	4215
	60	950	261	1.76	2455
(C)	20	1420	525	1.33	6455
	60	1410	563	1.37	5680
	80	1405	581	1.38	5060
(D)	20	965	230	0.94	4175
	60	955	254	0.95	2550
	80	950	278	0.96	2215

AC FB系列外转子轴流风机 Axial Fans $\Phi 550$

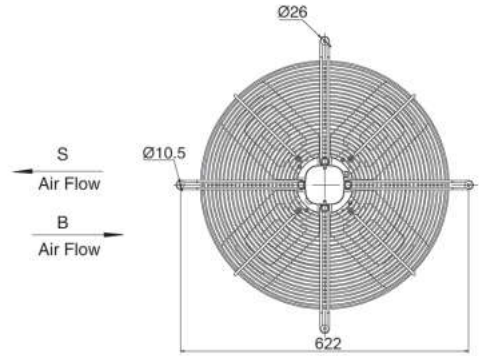
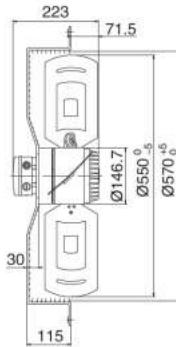


工作方式: S1
 绝缘等级: B、F
 防护等级: IP54
 环境温度: -30°C ~ 60°C
 认证: CCC、CE、UL

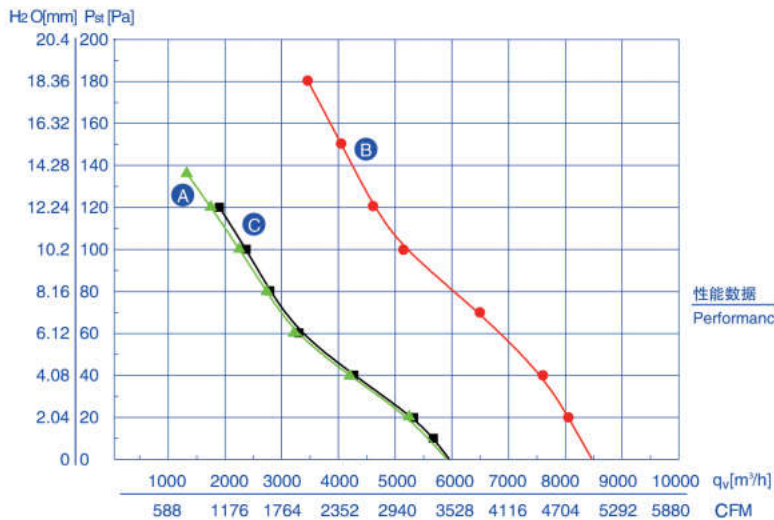
Mode of operation: S1
 Insulation class: B、F
 Type of protection: IP54
 Ambient temperature: -30°C ~ 60°C
 Certificates: CCC、CE、UL



网罩风机G Grid Fan



型号	额定电压	频率	额定电流	输入功率	额定转速	最大风量	电容	噪音	净重	曲线
TYPE	VOLTAGE	FREQUENCY	CURRENT	INPUT	SPEED	AIR FLOW	CAPACITANCE	NOISE	NET WEIGHT	CURVE NO.
	V	Hz	A	W	r/min	m ³ /h	μF	dB(A)	kg	
YWF6E-550S-137/70-E	220	50	1.60	330	930	5900	10	72	14	Ⓐ
YWF4D-550S-137/70-E	380	50	1.50	800	1340	8465	/	75	14	Ⓑ
YWF6D-550S-137/70-E	380	50	1.00	320	940	5950	/	72	14	Ⓒ



CURVE NO. 曲线	PRESSURE 静压点 Pa	SPEED 转速 r/min	INPUT 功率 W	CURRENT 电流 A	AIR FLOW 风量 m ³ /h
Ⓐ	20	940	340	1.58	5245
	60	930	372	1.74	3215
	80	920	397	1.85	2735
Ⓑ	20	1370	740	1.43	8055
	70	1355	784	1.50	6490
	100	1345	836	1.57	5145
Ⓒ	20	950	312	1.11	5325
	60	945	338	1.13	3305
	80	935	373	1.15	2790

AC FB系列外转子轴流风机 Axial Fans $\Phi 630$

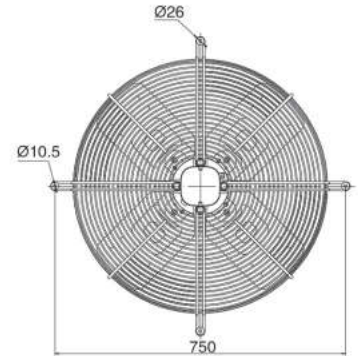
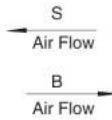
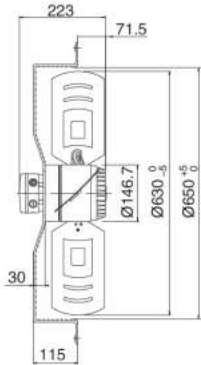


工作方式: S1
 绝缘等级: B、F
 防护等级: IP54
 环境温度: -30°C ~ 60°C
 认证: CCC、CE、UL

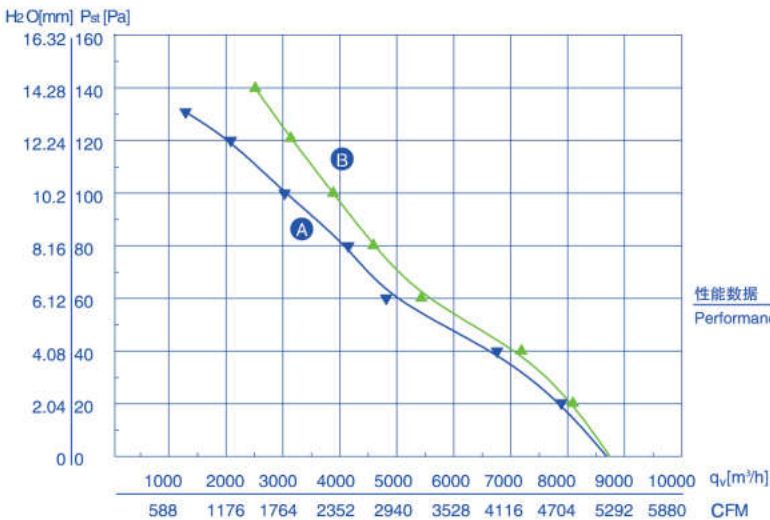
Mode of operation: S1
 Insulation class: B、F
 Type of protection: IP54
 Ambient temperature: -30°C ~ 60°C
 Certificates: CCC、CE、UL



网罩风机G Grid Fan



型号	额定电压	频率	额定电流	输入功率	额定转速	最大风量	电容	噪音	净重	曲线
TYPE	VOLTAGE	FREQUENCY	CURRENT	INPUT	SPEED	AIR FLOW	CAPACITANCE	NOISE	NET WEIGHT	CURVE NO.
	V	Hz	A	W	r/min	m ³ /h	μF	dB(A)	kg	
YWF6E-630S-137/70-E	220	50	2.55	560	880	8680	12	75	16	(A)
YWF6D-630S-137/70-E	380	50	1.20	500	900	8735	/	75	16	(B)



CURVE NO. 曲线	PRESSURE 静压点 Pa	SPEED 转速 r/min	INPUT 功率 W	CURRENT 电流 A	AIR FLOW 风量 m ³ /h
(A)	20	895	528	2.37	7885
	60	875	552	2.53	4810
	80	850	599	2.75	4150
(B)	20	910	476	1.16	8090
	60	905	500	1.19	5425
	80	895	540	1.24	4590

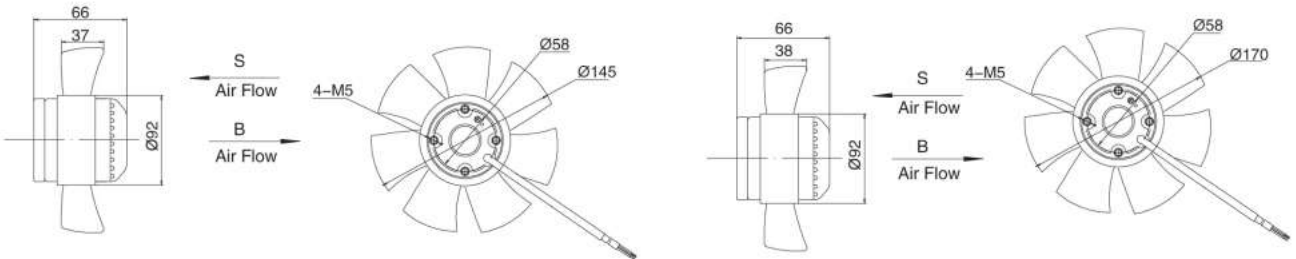
AC Axial Fans

A系列(Φ145/Φ170)外转子轴流风机

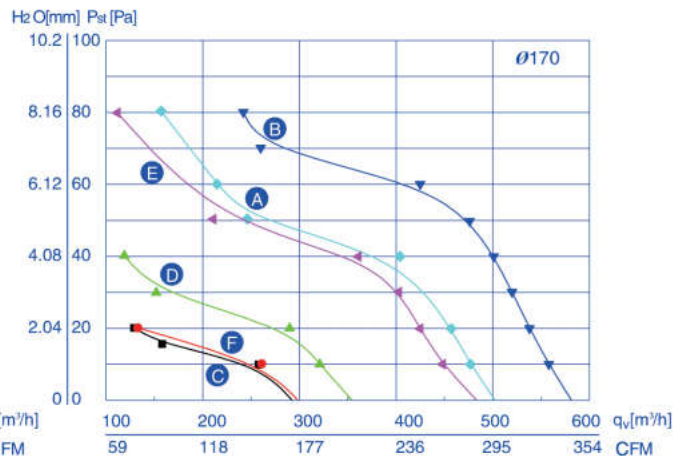
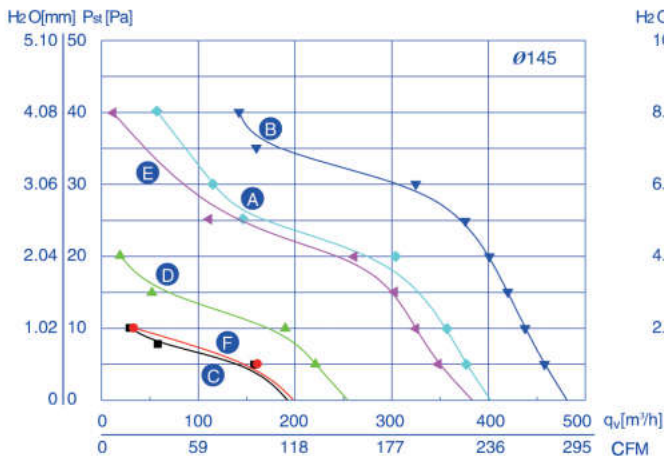


工作方式: S1
 绝缘等级: B、F
 防护等级: IP44、IP54
 环境温度: -30℃~60℃
 认证: CCC、CE、UL

 Mode of operation: S1
 Insulation class: B、F
 Type of protection: IP44、IP54
 Ambient temperature: -30℃~60℃
 Certificates: CCC、CE、UL



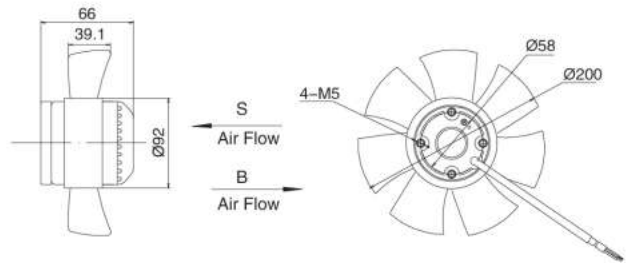
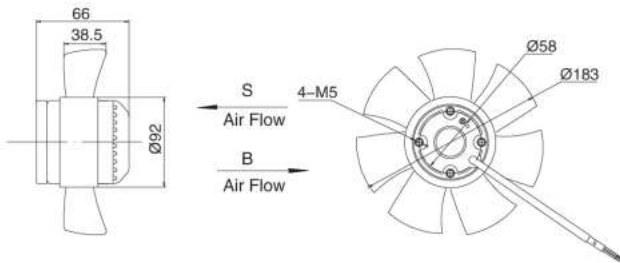
型号	额定电压	频率	额定电流	输入功率	额定转速	最大风量	电容	噪音	净重	曲线
TYPE	VOLTAGE	FREQUENCY	CURRENT	INPUT	SPEED	AIR FLOW	CAPACITANCE	NOISE	NET WEIGHT	CURVE NO.
	V	Hz	A	W	r/min	m ³ /h	μF	dBA	kg	
YWF2E-145S-92/15	220	50	0.24	38	2500	405	2	50	2.0	(A)
	120	60	0.54	49	2860	485	8	50	2.0	(B)
YWF4E-145S-92/15	220	50	0.18	28	1450	185	1.5	45	2.0	(C)
	120	60	0.37	32	1750	255	5	45	2.0	(D)
YWF2D-145S-92/15	380	50	0.10	37	2360	390	2	50	2.0	(E)
YWF4D-145S-92/15	380	50	0.10	27	1470	200	8	50	2.0	(F)
YWF2E-170S-92/15	220	50	0.25	55	2480	500	2	50	2.0	(A)
	120	60	0.60	70	2850	580	8	50	2.0	(B)
YWF4E-170S-92/15	220	50	0.20	40	1440	290	1.5	45	2.0	(C)
	120	60	0.40	47	1710	355	5	45	2.0	(D)
YWF4D-170S-92/15	380	50	0.11	52	2340	485	/	45	2.0	(E)
YWF4D-170S-92/15	380	50	0.11	36	1460	300	/	50	2.0	(F)



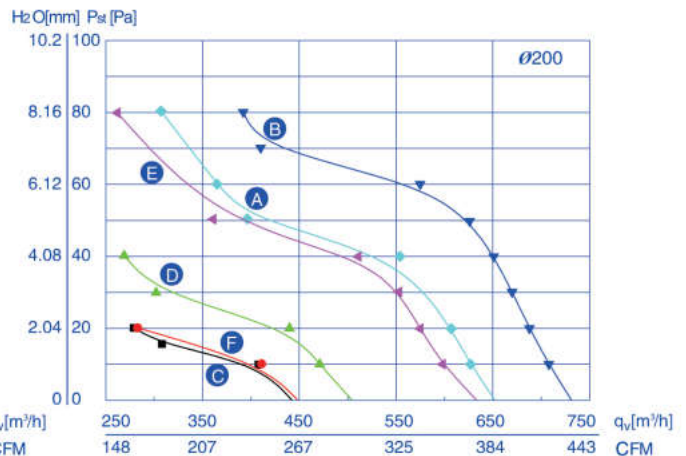
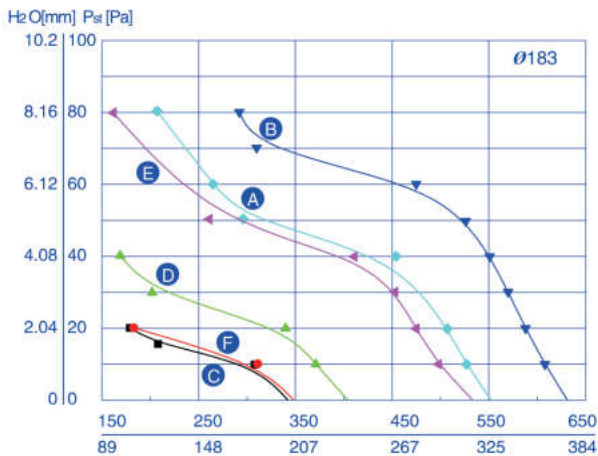


工作方式: S1
 绝缘等级: B、F
 防护等级: IP44、IP54
 环境温度: -30℃~60℃
 认证: CCC、CE、UL

Mode of operation: S1
 Insulation class: B、F
 Type of protection: IP44、IP54
 Ambient temperature: -30℃~60℃
 Certificates: CCC、CE、UL



型号	额定电压	频率	额定电流	输入功率	额定转速	最大风量	电容	噪音	净重	曲线
TYPE	VOLTAGE	FREQUENCY	CURRENT	INPUT	SPEED	AIR FLOW	CAPACITANCE	NOISE	NET WEIGHT	CURVE NO.
	V	Hz	A	W	r/min	m ³ /h	μF	dBA	kg	
YWF2E-183S-92/15	220	50	0.25	60	2400	550	2	50	2.0	(A)
	120	60	0.61	78	2700	635	8	50	2.0	(B)
YWF4E-183S-92/15	220	50	0.21	45	1380	340	1.5	45	2.0	(C)
	120	60	0.42	52	1650	415	5	45	2.0	(D)
YWF2D-183S-92/15	380	50	0.11	54	2300	540	2	50	2.0	(E)
YWF4D-183S-92/15	380	50	0.11	39	1400	350	8	50	2.0	(F)
YWF2E-200S-92/15	220	50	0.26	65	2400	650	2	50	2.0	(A)
	120	60	0.63	84	2650	735	8	50	2.0	(B)
YWF4E-200S-92/15	220	50	0.22	50	1390	440	1.5	45	2.0	(C)
	120	60	0.45	64	1680	405	5	45	2.0	(D)
YWF4D-200S-92/15	380	50	0.11	62	2250	635	/	45	2.0	(E)
YWF4D-200S-92/15	380	50	0.11	45	1400	445	/	50	2.0	(F)



AC Axial Fans

工频风机 $\Phi 200$

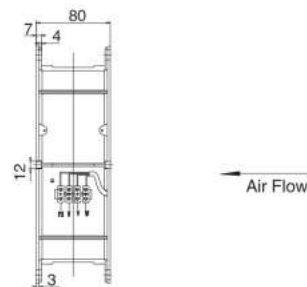
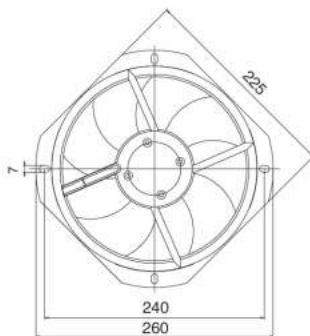


工作方式: S1
 绝缘等级: B、F
 防护等级: IP44、IP54
 环境温度: -30°C – 60°C
 认证: CCC、CE、UL

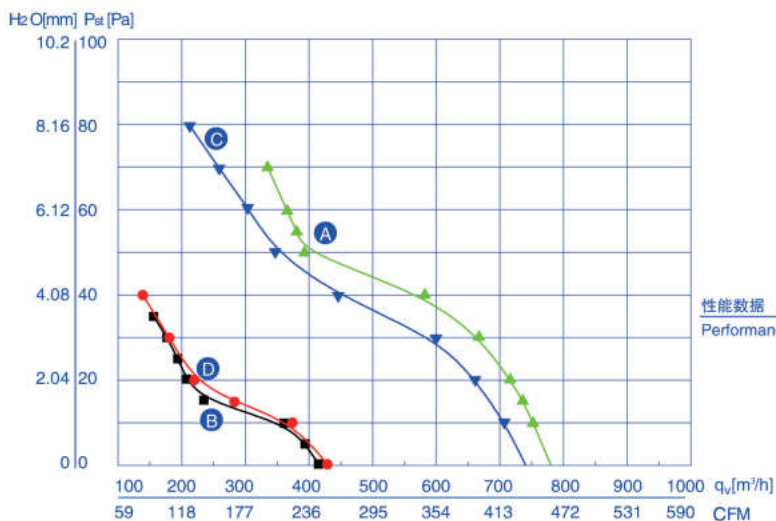
Mode of operation: S1
 Insulation class: B、F
 Type of protection: IP44、IP54
 Ambient temperature: -30°C – 60°C
 Certificates: CCC、CE、UL



网罩风机G Grid Fan



型号	额定电压	频率	额定电流	输入功率	额定转速	最大风量	电容	噪音	净重	曲线
TYPE	VOLTAGE	FREQUENCY	CURRENT	INPUT	SPEED	AIR FLOW	CAPACITANCE	NOISE	NET WEIGHT	CURVE NO.
	V	Hz	A	W	r/min	m ³ /h	μF	dB(A)	kg	
YWF2E-200B-92/15-GB	220	50	0.25	55	2500	780	2	59	2.0	(A)
YWF4E-200B-92/15-GB	220	50	0.21	40	1400	415	1.5	57	2.0	(B)
YWF2D-200B-92/15-GB	380	50	0.11	55	2300	740	/	59	2.0	(C)
YWF4D-200B-92/15-GB	380	50	0.10	35	1400	429	/	57	2.0	(D)



CURVE NO. 曲线	PRESSURE 静压点 Pa	SPEED 转速 r/min	INPUT 功率 W	CURRENT 电流 A	AIR FLOW 风量 m ³ /h
(A)	20	2615	52	0.24	715
	40	2565	53	0.24	580
(B)	20	1450	42	0.20	215
	30	1435	41	0.20	175
(C)	20	2455	50	0.10	660
	40	2385	52	0.10	445
(D)	20	1460	34	0.10	220
	30	1450	34	0.10	180

AC Axial Fans

工频风机 $\Phi 250$

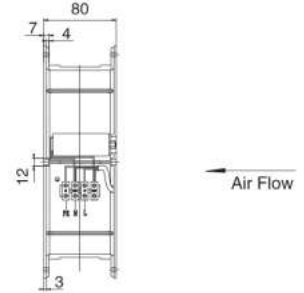
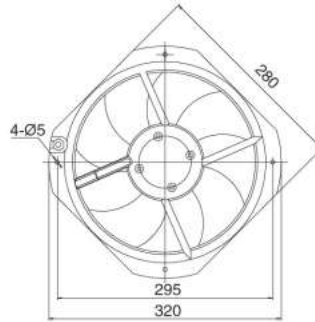


工作方式: S1
 绝缘等级: B、F
 防护等级: IP44、IP54
 环境温度: -30°C ~ 60°C
 认证: CCC、CE、UL

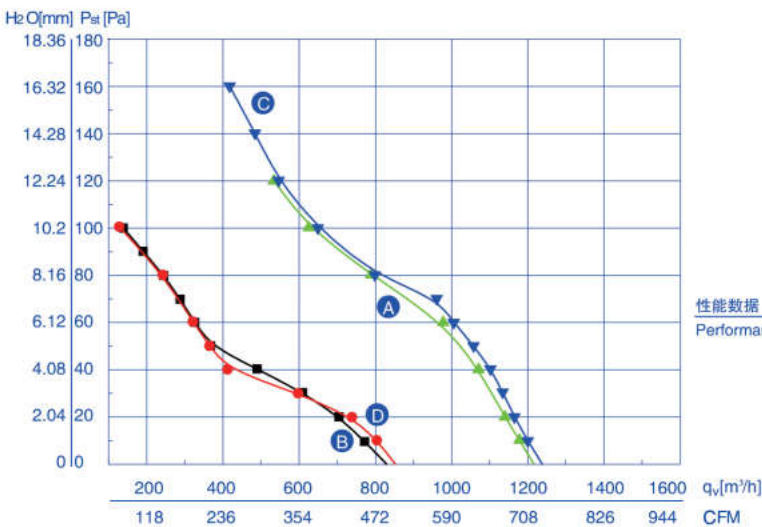
Mode of operation: S1
 Insulation class: B、F
 Type of protection: IP44、IP54
 Ambient temperature: -30°C ~ 60°C
 Certificates: CCC、CE、UL



网罩风机G Grid Fan



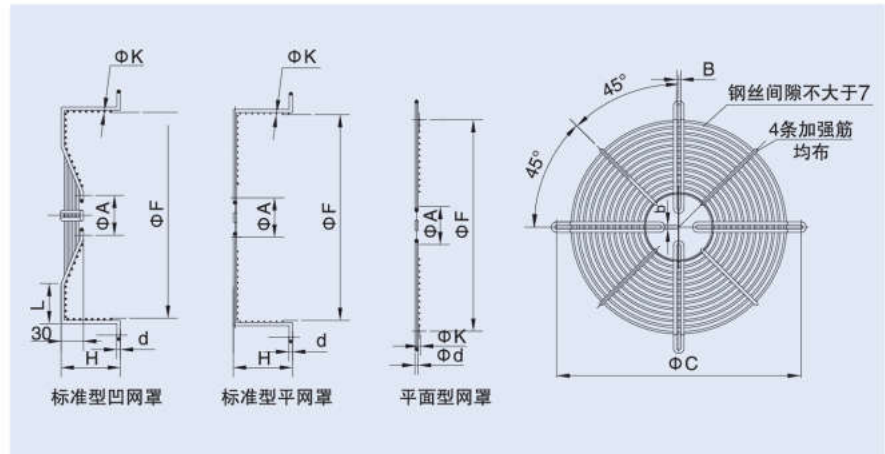
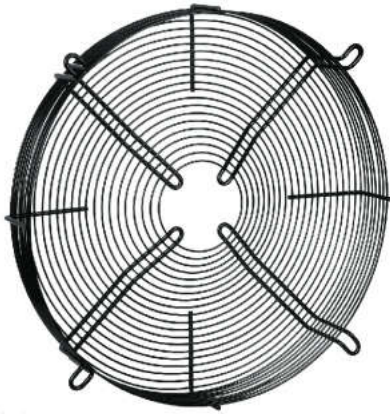
型号	额定电压	频率	额定电流	输入功率	额定转速	最大风量	电容	噪音	净重	曲线
TYPE	VOLTAGE	FREQUENCY	CURRENT	INPUT	SPEED	AIR FLOW	CAPACITANCE	NOISE	NET WEIGHT	CURVE NO.
	V	Hz	A	W	r/min	m ³ /h	μF	dBA	kg	
YWF2E-250B-92/25-GB	220	50	0.42	85	2400	1215	3	61	2.5	(A)
YWF4E-250B-92/25-GB	220	50	0.21	46	1380	825	2	59	2.5	(B)
YWF2D-250B-92/25-GB	380	50	0.19	95	2500	1235	/	61	2.5	(C)
YWF4D-250B-92/25-GB	380	50	0.17	55	1450	850	/	59	2.5	(D)



性能数据
Performance data

CURVE NO. 曲线	PRESSURE 静压点 Pa	SPEED 转速 r/min	INPUT 功率 W	CURRENT 电流 A	AIR FLOW 风量 m ³ /h
(A)	20	2755	68	0.31	1140
	40	2710	71	0.33	1070
(B)	20	1450	48	0.23	700
	40	1435	49	0.24	490
(C)	20	2730	70	0.17	1165
	40	2680	76	0.18	1100
(D)	20	1455	58	0.17	740~
	40	1440	59	0.17	410

GRID 外转子专用网罩 Axial Fans' Accessories



序号	配套电机	主要尺寸								
		安装孔径 ΦC	网罩边高 H	电机安装 ΦA	网罩内径 ΦF	筋条直径 Φd	盘丝直径 Φk	安装孔径 B	电机安装 b	直边长度 L
标准型凹网罩										
1	YWF300	360	80	58.5	320	4	2.5	7	7	70
2	YWF315	390	80	58.5	335	4	2.5	7	7	80
3	YWF330	402	80	58.5	350	4	2.5	7	7	85
4	YWF350	422	80	90	370	5	2.5	9.5	8	75
5	YWF380	450	80	90	400	5	2.5	9.5	8	90
6	YWF400	470	90	90	420	5	2.5	9.5	8	100
7	YWF420	490	90	90	440	5	2.5	9.5	8	110
8	YWF450	522	90	90	470	6	2.5	9.5	8	125
9	YWF500	570	90	120	520	6	2.8	10.5	9.5	130
10	YWF550	622	100	120	570	6	2.8	10.5	9.5	140
11	YWF600	679	100	120	620	7.5	3	10.5	9.5	160
12	YWF630	750	100	120	650	7.5	3	10.5	9.5	170
标准平网罩										
13	YWF200	260	45	58.5	220	4	2.5	7	7	/
14	YWF250	320	55	58.5	275	4	2.5	7	7	/
15	YWF300	360	60	58.5	320	4	2.5	7	7	/
16	YWF350	422	60	90	370	5	2.5	9.5	8	/
17	YWF400	470	60	90	420	5	2.5	9.5	8	/
18	YWF450	522	60	90	470	6	2.8	9.5	8	/
19	YWF500	570	60	120	520	6	2.8	10.5	9.5	/
20	YWF550	622	100	120	570	6	2.8	10.5	9.5	/
21	YWF600	679	100	120	620	7.5	3	10.5	9.5	/
22	YWF630	750	100	120	650	7.5	3	10.5	9.5	/
平面型网罩										
23	YWF250	320	0	58.5	275	4	2.5	7	7	/
24	YWF300	360	0	58.5	320	4	2.5	7	7	/
25	YWF350	422	0	90	370	5	2.5	9.5	8	/
26	YWF400	470	0	90	420	5	2.5	9.5	8	/
27	YWF450	522	0	90	470	6	2.8	9.5	8	/
28	YWF500	570	0	120	520	6	2.8	10.5	9.5	/
29	YWF550	622	0	120	570	6	2.8	10.5	9.5	/
30	YWF630	750	0	120	650	7.5	3	10.5	9.5	/

www.wgmotor.com

杭州微光电子股份有限公司

Hangzhou Weiguang Electronic Co., Ltd.

地址：杭州余杭经济技术开发区兴中路365号（兴中厂区）

杭州余杭经济技术开发区红丰路512号（红丰厂区）

邮编：311100

电话：0571-86240288 89166617 89186908

传真：0571-86238506

E-mail: service@wgmotor.com

<http://www.wgmotor.com>

Add: No.365, Xingzhong Road, Yuhang Region, Hangzhou, China (Xingzhong Factory)

No.512, Hongfeng Road, Yuhang Region, Hangzhou, China (Hongfeng Factory)

P.C.: 311100

Tel: 0571-86240288 89166617 89186908

Fax: 0571-86238506

E-mail: service@wgmotor.com

<http://www.wgmotor.com>